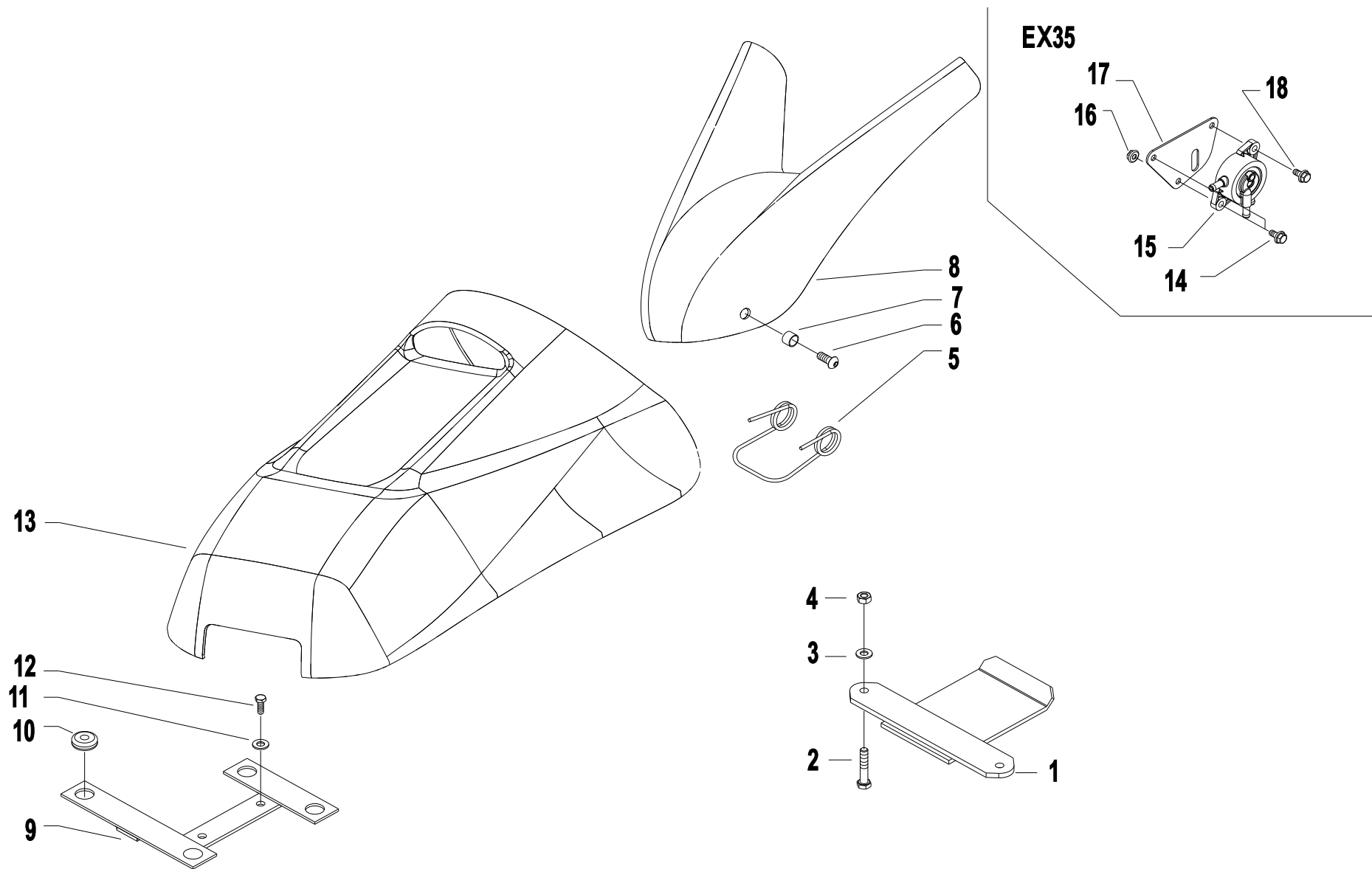


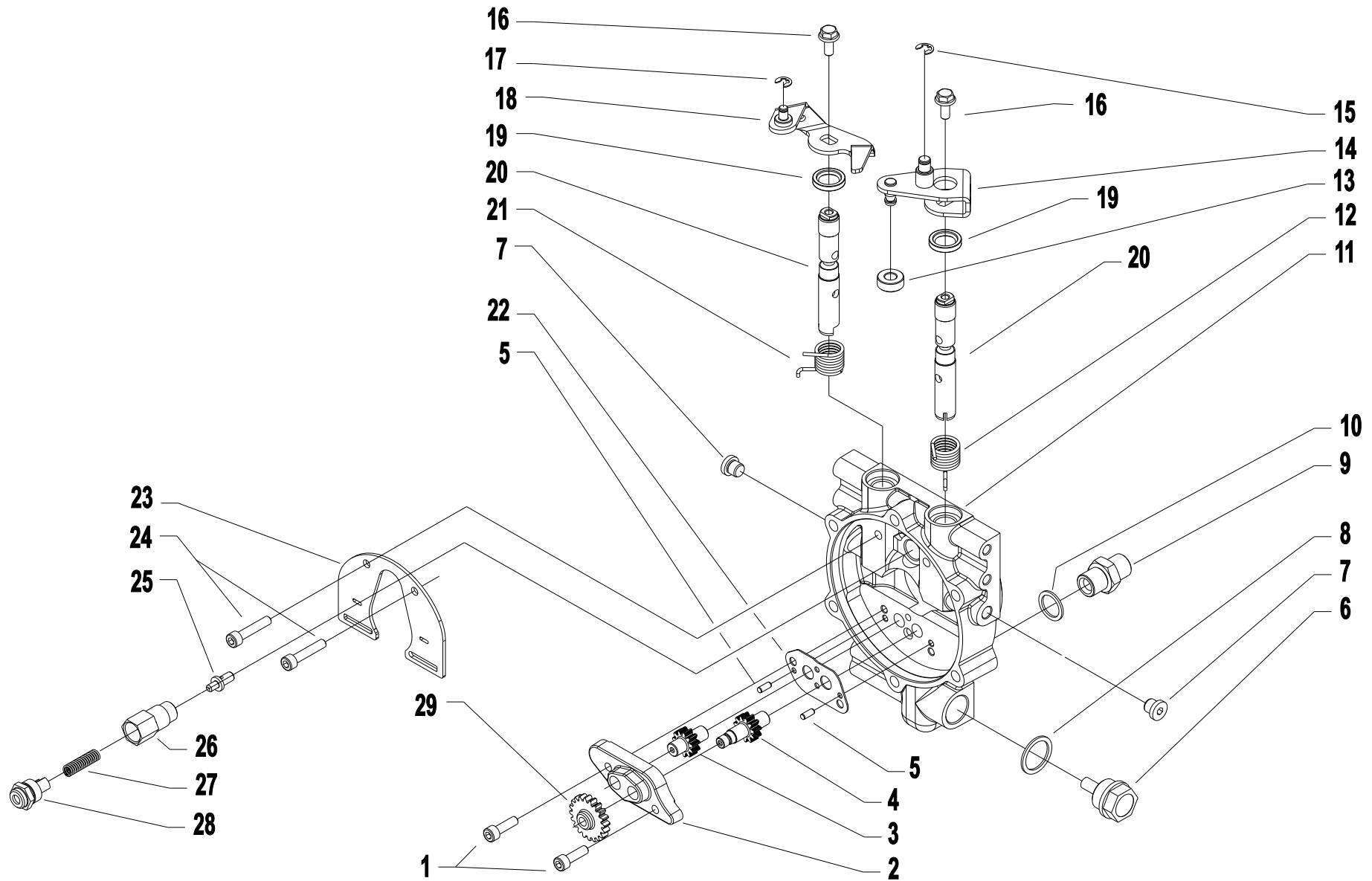
Inhoudsopgave

Drijfwerk Filter 02	9
Drijfwerkhuis 00	15
Handels & Kabels 01	37
Kappen 00	3
Koppel Asjes 02	11
Koppeling 02	7
Motor Flenzen 00	13
Parkeer Rem 00	23
Powersafe 03	5
Schakelpoken 00	41
Stickers 01	45
Stuur & Kabels 00	33
Stuurboom 00	31
Tandwielen 00	17
Type Sctickers 00	47
Wielas 00	25
Wielas Koppeling 00	27
Wielen & Banden 00	43
Parts Index	49

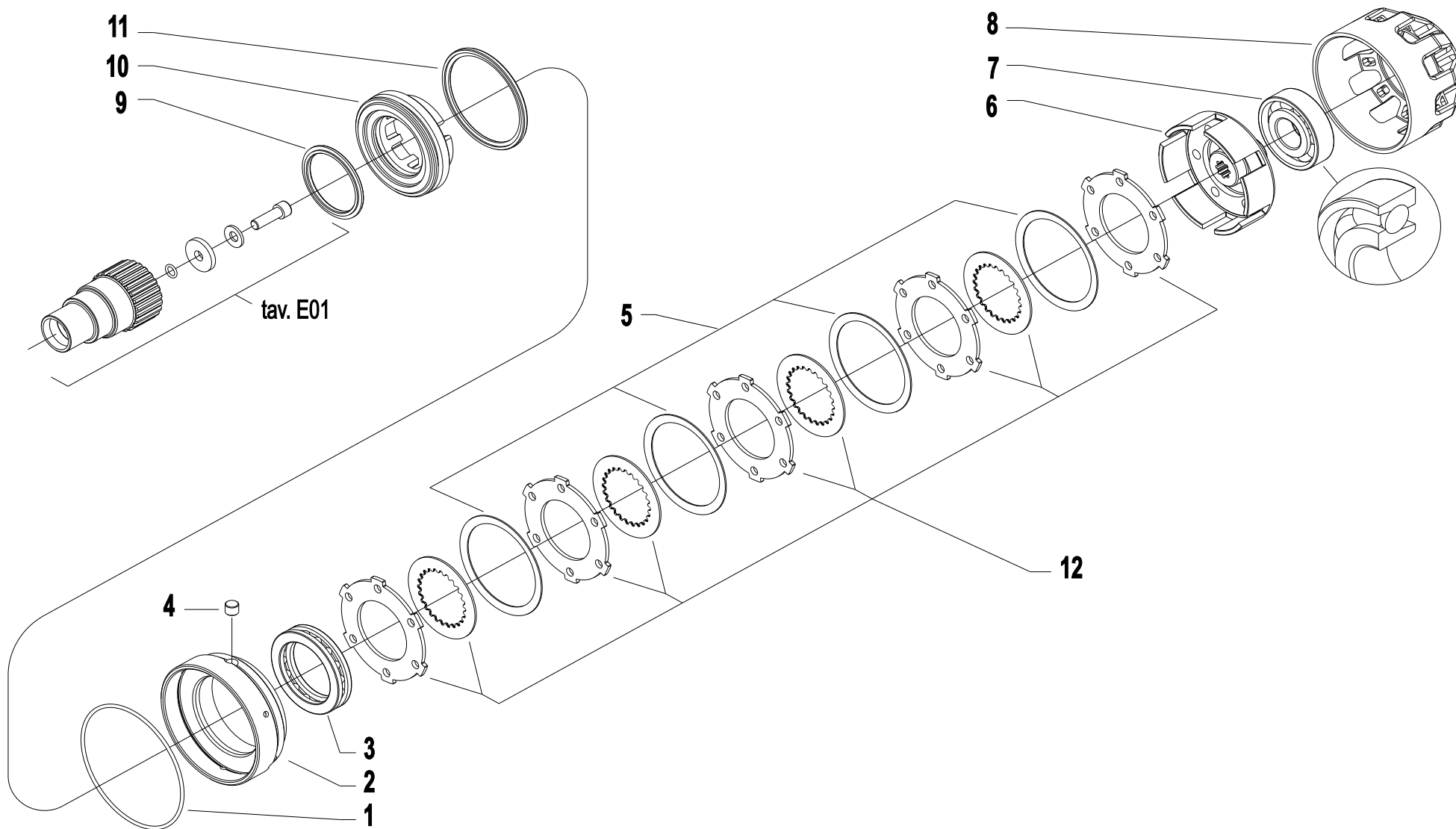
Code	Description	Notes
A.01.02.A0006_00	A01_00 - BODY	
B.01.01.A0001_03	B01_03 - POWERSAFE CLUCH CONTROL	
C.01.01.A0001_02	C01_02 - CYLINDER AND POWERSAFE CLUTCH	
D.01.01.A0001_02	POWERSAFE FILTER UNIT	
E.01.05.A0005_02	E01_02 - POWERSAFE CLUTCH HUB	
F.01.05.A0005_00	F01_00 - ENGINE FLANGES	
G.01.02.A0006_00	GEARBOX	
H.01.02.A0006_00	GEARS	
H.02.02.A0006_00	GEARS	
H.03.02.A0006_00	GEARS	
H.04.02.A0006_00	PARKING BRAKE	
I.01.02.A0006_00	WHEELS AXLE	
I.02.02.A0006_00	WHEELS AXLE	
J.01.02.A0006_00	STEERING COLUMN	
K.01.02.A0006_00	HANDLEBAR	
L.01.02.A0006_00	KNOB	
L.01.02.A0006_01	MANOPOLE (530S ED)	
L.02.02.A0006_00	HANDLEBAR CONTROLS	
M.01.02.A0006_00	CONTROLS	
P.01.02.A0006_00	WHEELS	
Q.01.05.A0005_01	Q01_01 - STICKERS	
Q.02.02.A0006_00	STICKERS	



Pos.	Code	Q.ty	Description	Notes
1	56156119N	1	SHIELD	For motors EX35 / LGA340
1	59056111N	1	SHIELD	For the engine L100AE
2	31112154	1	SCREW TE M8X40 UNI 5739 8G	
3	31411084	1	WASHER 8,4x17	
4	31241080	1	HEXAGON SELFLOCK NUT M8	
5	58056889	1	RETAINING SPRING	
6	31121005	1	SCREW TBCEI FLANG. M6X25	
7	56157555	1	TUBE	
8	55257501	1	SMALL COVER	
9	59057504	1	HOLDER	
10	58056991	1	CABLE GLAND	
11	31421083	1	WASHER	
12	31112150	1	SCREW TE M8X20 UNI 5739 8G	
13	55252500	1	BODYWORK	
14	31112081	1	SCREW TE C/F M6X20 DIN 6921 8G	
15	58156135	1	PUMP	
16	31241065	1	SELFLOCK NUT M6	
17	56156134H	1	CONNECTION	
18	31112084	1	SCREW TE C/F M6X14 DIN 6921 8G	

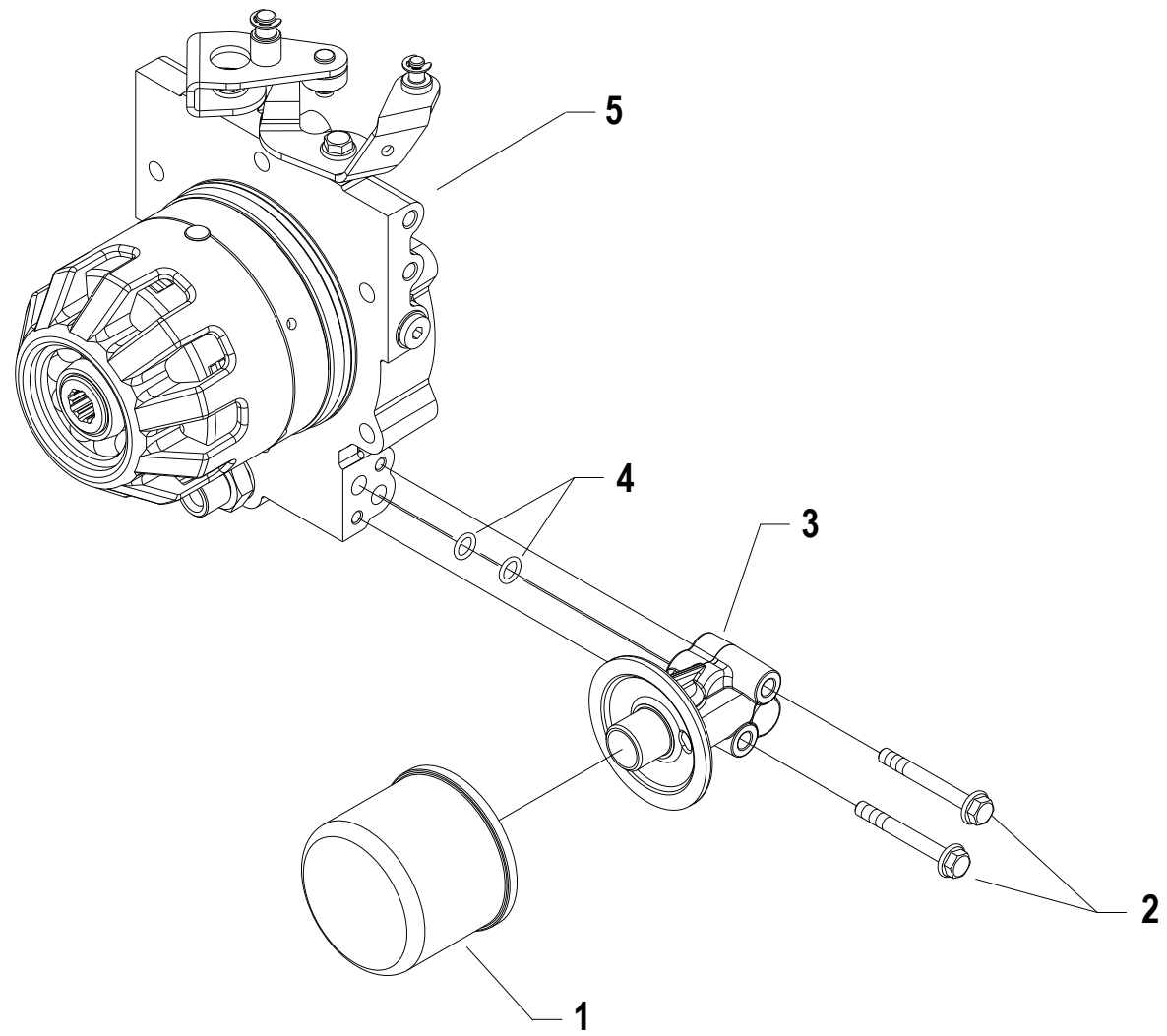


Pos.	Code	Q.ty	Description	Notes
1	31152063	1	SCREW TCEI M6X20 UNI 5931	
2	51156214	1	COVER	
3	52456217	1	DRIVEN GEAR	
4	52456223	1	GEAR	
5	34221040	1	CYLINDRICAL PLUG	
6	58170021	1	PLUG	
7	580C0041	1	PLUG	
8	F0844273090	1	GASKET 22X28X1,5 CU 99,5	
9	30000197	1	NIPPLE	
10	31480184	1	COPPER WASHER 16,7x22/1,5	
11	59256200	1	CLUTCH FLANGE	
12	58056222	1	SPRING	
13	55256228	1	ROLLER	
14	59056225Z	1	CLUTCH LEVER	
15	35211060	1	SEEGER RING	
16	31112084	1	SCREW TE C/F M6X14 DIN 6921 8G	
17	35211050	1	SEEGER RING	
18	59056298Z	1	LEVER	Replaces 59056230Z from serial 901289
19	38211400	1	OIL SEAL 14X22X4	
20	52456220	1	DISTRIBUTOR	
21	58056221	1	SPRING	
22	56356661	1	COUNTERWEIGHT	
23	56156224	1	SHIELD	
24	31152060	1	SCREW TCEI M6X30 UNI 5931	
25	56456657	1	VALVE	
26	56156658	1	VALVE SEAT	
27	58056683	1	SPRING	Replaces 58056192 from serial number 883609
28	56356242	1	PLUG	
29	52456235	1	PUMP GEAR	

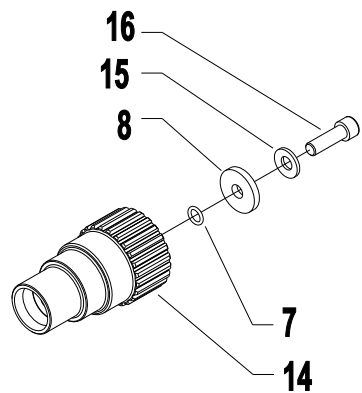


Pos.	Code	Q.ty	Description	Notes
1	38118859	1	O-RING	
2	56356216	1	RING	
3	37161500	1	BEARING	
4	56156247	1	PIN	
5	56556213	1	SPRING	
6	52456694	1	FRICTION BELL	Replaces 56356212 + 56356215 + 52456211
7	37141253	1	BEARING	
8	53156210	1	SUMP	
9	38120500	1	RING	
10	53156218	1	PISTON	
11	38140850	1	RING	
12	59256693	1	9 DISC CLUTCH	Replaces 56356212 + 56356215 + 52456211

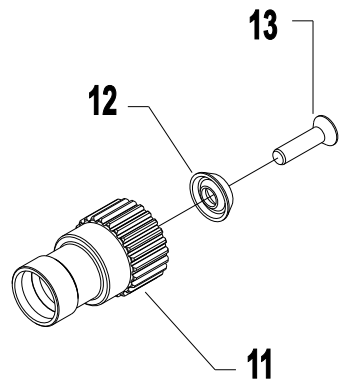
POWERSAFE FILTER UNIT



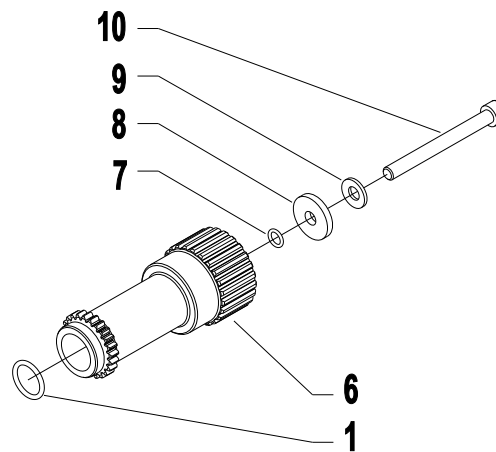
Pos.	Code	Q.ty	Description	Notes
1	58056208	1	FILTER	
2	31112099	1	SCREW TE C/F M6X50 DIN 6921 8G	
3	53156209	1	CONNECTION	
3	53156659	1	CONNECTION	Powersafe EasyDrive
4	38110873	1	O-RING	
5	59256035	1	POWERSAFE CLUTCH ASSY Q19	For motors GX160/200 - EX21
5	59256036	1	POWERSAFE CLUTCH	For motors GX240/270
5	59256037	1	CLUTCH FOR POWERSAFE Q25.4 (3/8)	For motors GX340/390 - EX35
5	59256038	1	POWERSAFE CLUTCH	For motors 15LD350/440-L70/100
5	59256039	1	POWERSAFE CLUTCH ASSY	For motors 15LD500/3LD510



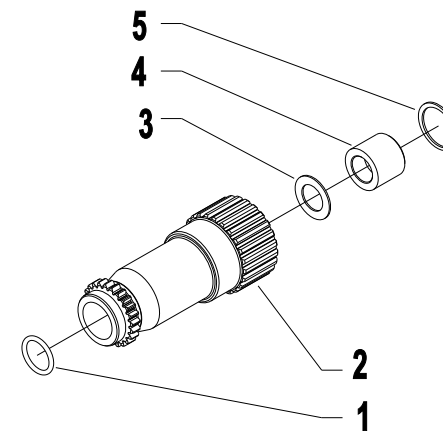
GX 160-200



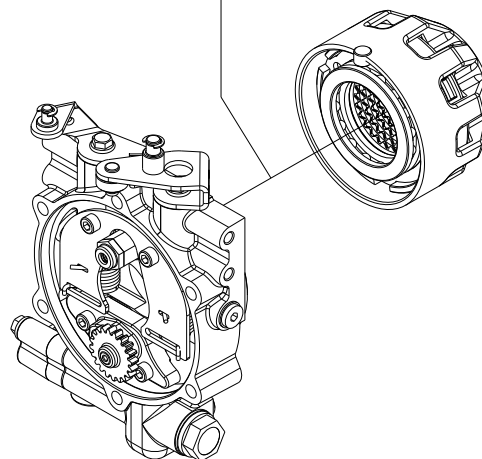
GX 240-270-340-390-EX35



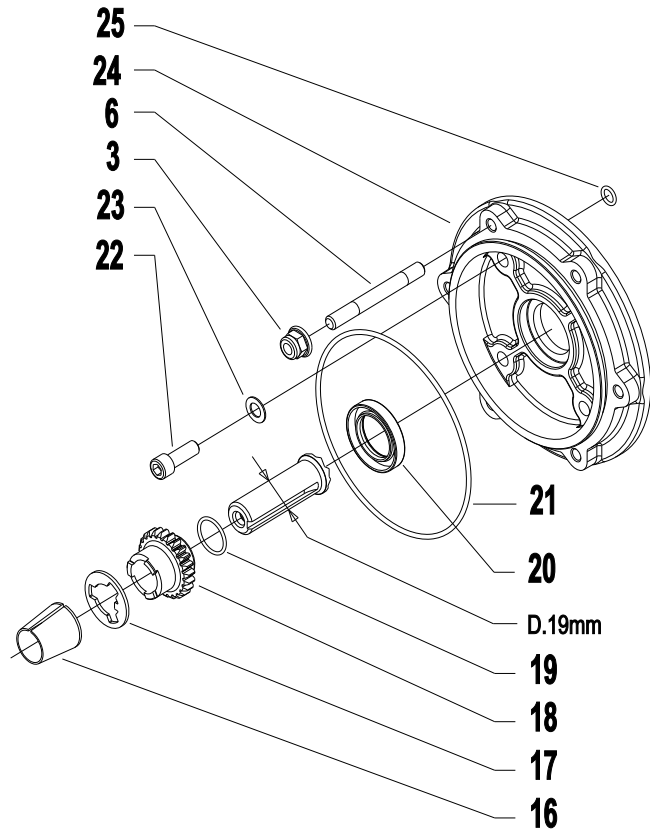
15LD350-440 - L70-100



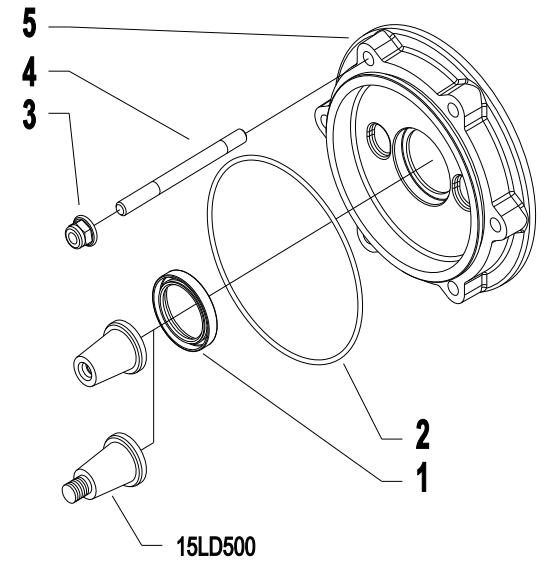
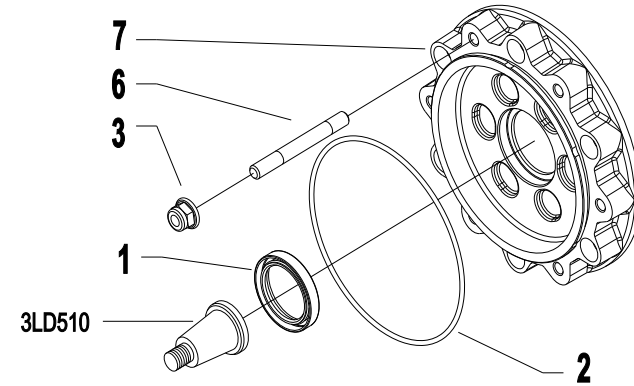
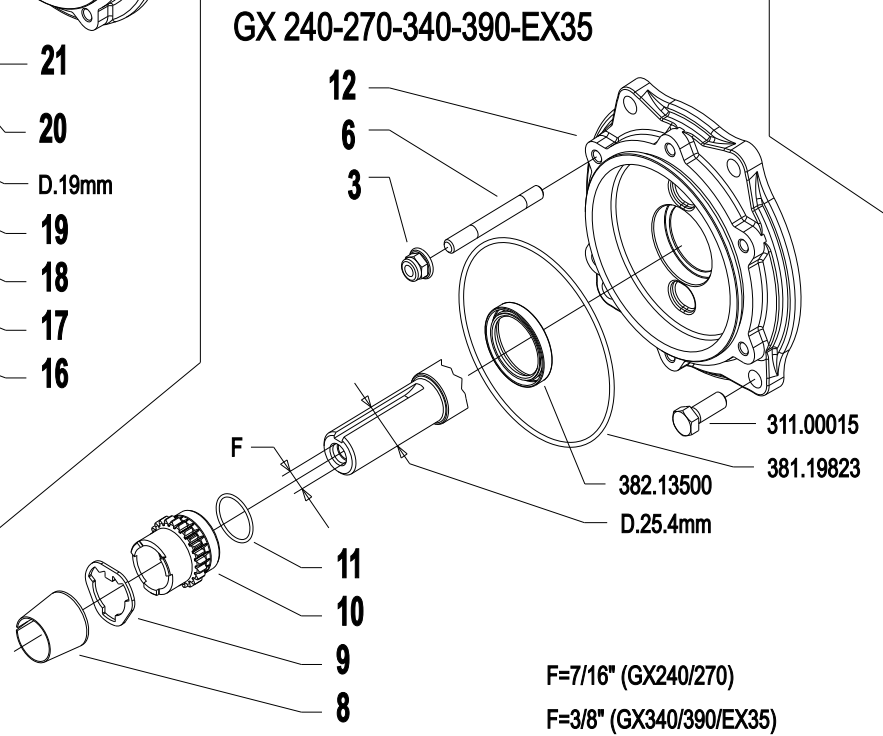
15LD500 - 3LD510



Pos.	Code	Q.ty	Description	Notes
1	38111872	1	O-RING	
2	52456243	1	HUB	
3	56347873	1	WASHER	
4	56347870Z	1	SPECIAL NUT	
5	35111029	1	SEEGER RING	
6	52456245	1	HUB	
7	38110675	1	O-RING	
8	56156288Z	1	SPECIAL WASHER SP.4	
9	31421083	1	WASHER	
10	31152090	1	SCREW TCEI M8x80 UNI5931	
11	52456233	1	HUB	
12	56556282	1	WASHER D.25,4	
13	31100029	1	SCREW TSVEI 7/16-20X1 1/2 UNF8G	For engines GX240/GX270
13	31100031	1	SCREW TSVEI 3/8-24X1 1/2 UNF 8G	For engines GX340/GX390/EX35
14	52456234	1	HUB	
15	31421083	1	WASHER	
16	31100023	1	SCREW 5/16-24	

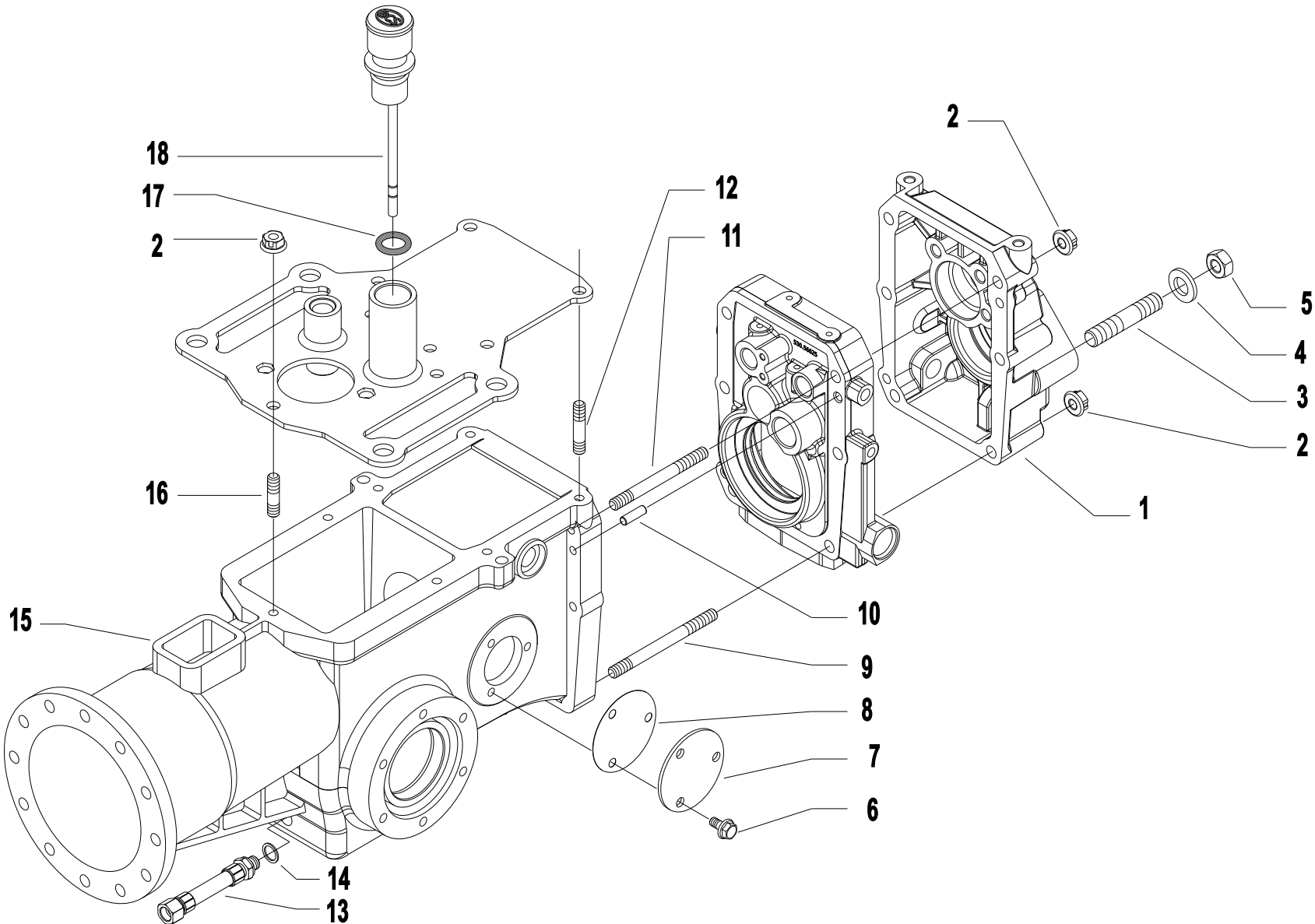


GX 160-200

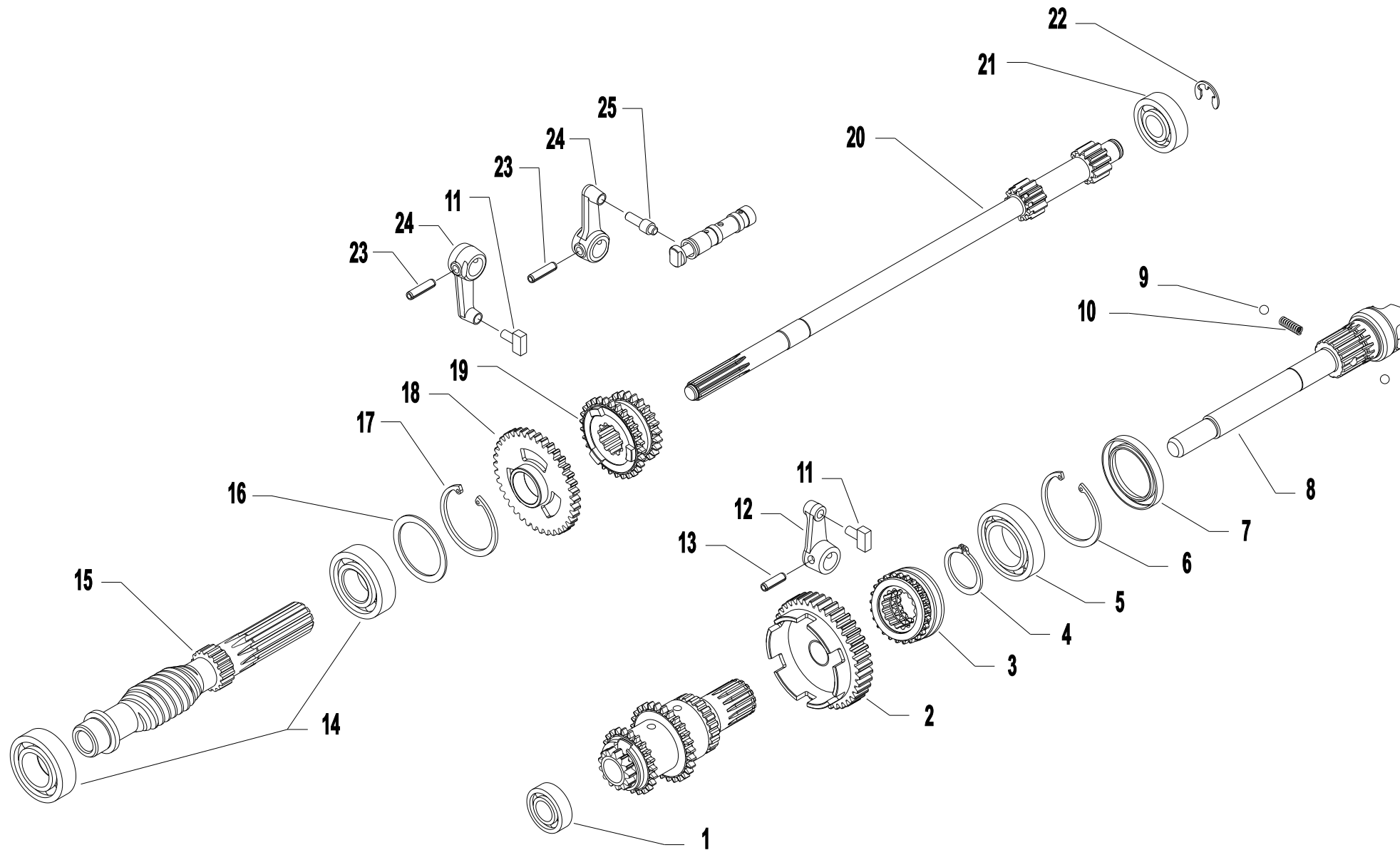


15LD350-440-500
L70-100

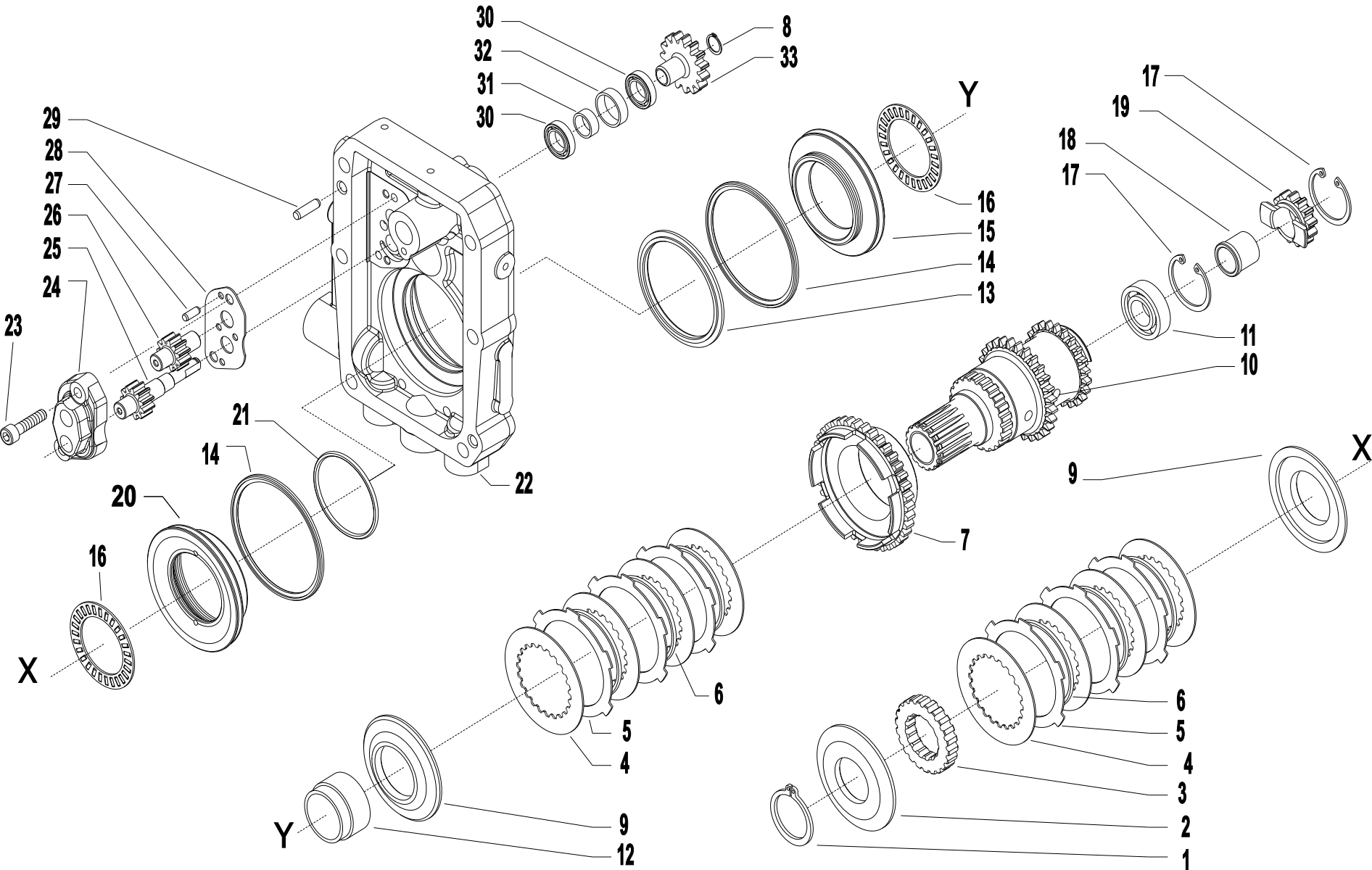
Pos.	Code	Q.ty	Description	Notes
1	38213202	1	OIL SEAL 32X45X7	
2	38119823	1	O-RING	
3	31241083	1	SELFLOCK NUT M8	
4	31312097	1	STUD BOLT	
5	53156207	1	ENGINE FLANGE	
6	31312073	1	STUD BOLT	
7	532C0055	1	ACT ENGINE FLANGE	
8	56156281	1	CENTRING BUSH	
9	56356239	1	FEEDER Q25	
10	52456236	1	PUMP GEAR	
10	52456352	1	PUMP GEAR	For the engine, EX35
11	F0803075500	1	O-RING	
12	53156205	1	ENGINE FLANGE	
13	38213500	1	OIL SEAL 35X47X7	
14	38119823	1	O-RING	
15	31100015	1	SCREW TE 3/8X1	
16	56156276	1	SLEEVE	
17	56356240	1	TRANSMISSION	
18	52456237	1	PUMP GEAR	
19	F0803067000	1	O-RING	
20	38212500	1	OIL SEAL 25X40X7	
21	38119823	1	O-RING	
22	31104022	1	SCREW TCEI 5/16X7/8 UNF 12K	
23	31423084	1	SPRING WASHER 8,4	
24	53156206	1	ENGINE FLANGE	
25	38110873	1	O-RING	



Pos.	Code	Q.ty	Description	Notes
1	53156332V	1	REAR COVER	
2	31241084	1	SELFLOCK NUT M8 6S	
3	31312125	1	STUD BOLT	
4	31421132	1	WASHER 13X24X2,8	
5	31221121	1	NUT M12X1,25	
6	31112083	1	SCREW M6X12	
7	56147520Z	1	COVER	
8	58056447	1	GASKET	
9	31312097	1	STUD BOLT	
10	58043053	1	CYLINDRICAL PLUG	
11	31312090	1	STUD BOLT	
12	31312088	1	STUD BOLT M8X40X14X14	
13	59056244	1	SUCTION PIPE	
14	31480184	1	COPPER WASHER 16,7x22/1,5	
15	53156202V	1	BOX CASING	
16	31312078	1	STUD BOLT M8X32X14X14	
17	55102678	1	RUBBER RING	
18	59015425	1	PLUG	



Pos.	Code	Q.ty	Description	Notes
1	37111151	1	BEARING	
2	59056712	1	PTO GEAR	
3	52456706	1	PTO COUPLING	
4	35121031	1	SEEGER RING	
5	37112229	1	BEARING	
6	35111055	1	SEEGER RING	
7	38213800	1	OIL SEAL 38X55X7	
8	52456620	1	PTO SHAFT	
9	37910832	1	BALL 1/4	
10	58056391	1	SPRING	
11	58043086	1	SHOE	
12	52456390	1	LEVER	
13	34213061	1	ROLL PIN	
14	37111255	1	BEARING	
15	56456314	1	SPECIAL SCREW	
16	56356328	1	ADJUSTING RING SP=1,5	
16	56356329	1	ADJUSTING RING SP=1,6	
16	56356330	1	ADJUSTING RING SP=1,7	
16	56356331	1	ADJUSTING RING SP=1,8	
17	35111053	1	SEEGER RING I 52 UNI 7438	
18	52456354	1	GEAR	
19	52456360	1	SLIDER	
20	52456626	1	OUTPUT SHAFT	
21	37111152	1	BEARING	
22	35211120	1	SEEGER RING	
26	34213060	1	ROLL PIN	
27	52456389	1	LEVER	
28	56456669	1	PIN	



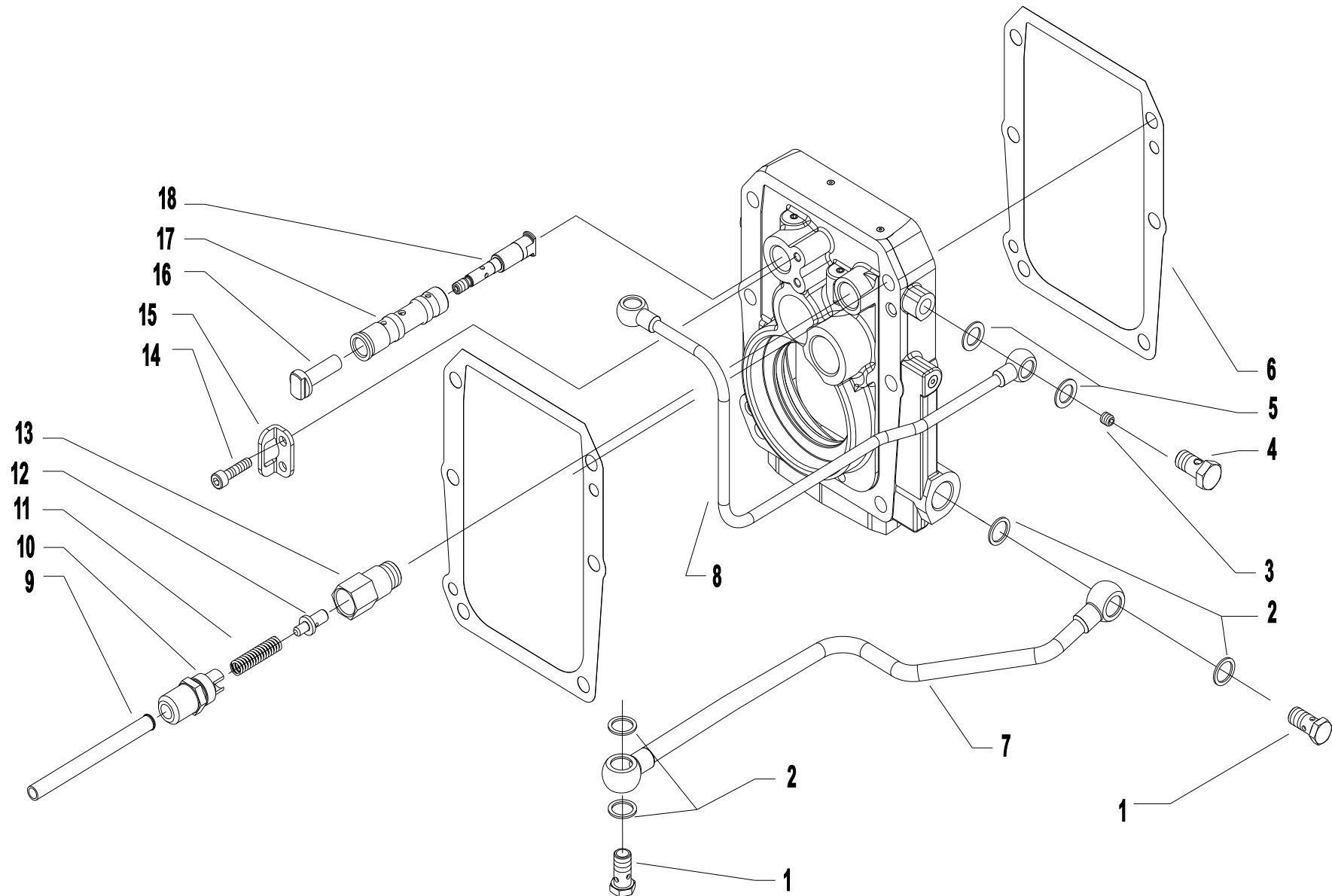
Pos.	Code	Q.ty	Description	Notes
1	35122028	1	SEEGER RING	
2	56156803	1	WASHER	
3	56456640	1	HUB	
4	56356642	1	DISC	
5	56356641	1	DISC	
6	56556682	1	SPRING	
7	52456427	1	GEAR	
8	31460515	1	SPR. SCHNORR K 51.5x35.5x0,6 243400	
9	52456677	1	PRESSURE PLATE	
10	59056619	1	COUNTERSHAFT	
11	37121150	1	BEARING	
12	56156647	1	SPACER	
13	38120580	1	RING	
14	38140750	1	RING	
15	52456676	1	PISTON	Use key 58056680
16	37341350	1	BEARING	
17	35111035	1	SEEGER RING	
18	57156652	1	BEARING	
19	52456802	1	FIRST GEAR ED	
20	52456675	1	PISTON	Use key 58056680
21	38114569	1	RING	
22	59256800	1	FLANGE	
23	31152064	1	SCREW TCEI M6X25 UNI 5931	
24	51156631	1	COVER	
25	52456633	1	GEAR	
26	52456632	1	DRIVEN GEAR	
27	34221040	1	CYLINDRICAL PLUG	
28	56356661	1	COUNTERWEIGHT	
29	58043053	1	CYLINDRICAL PLUG	
30	37111121	1	BEARING	
31	56156654	1	SPACER	
32	56156655	1	SPACER	
33	52456636	1	GEAR	
34	35120007	1	SEEGER RING	

SERIAL

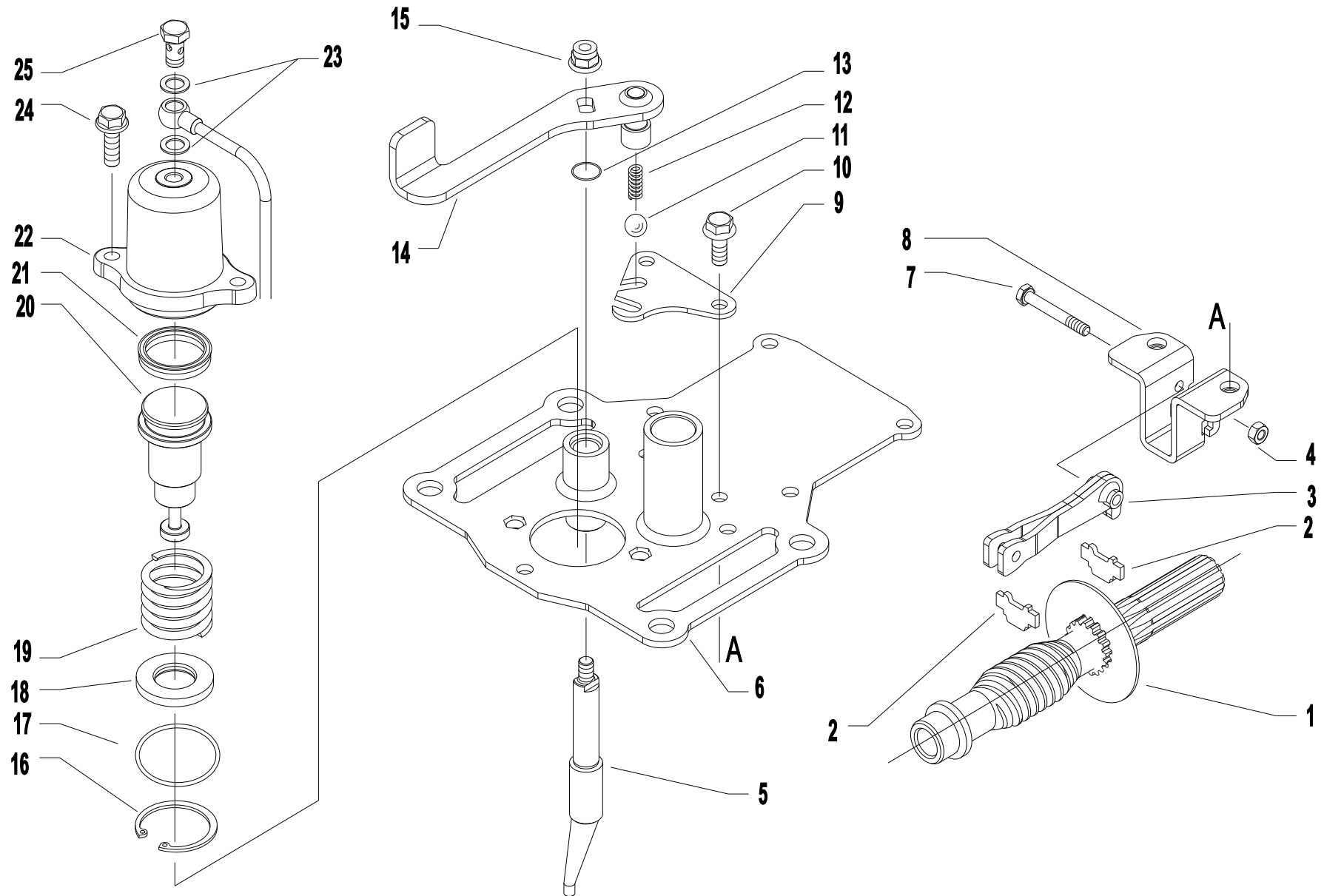
GEARS

CODE REV

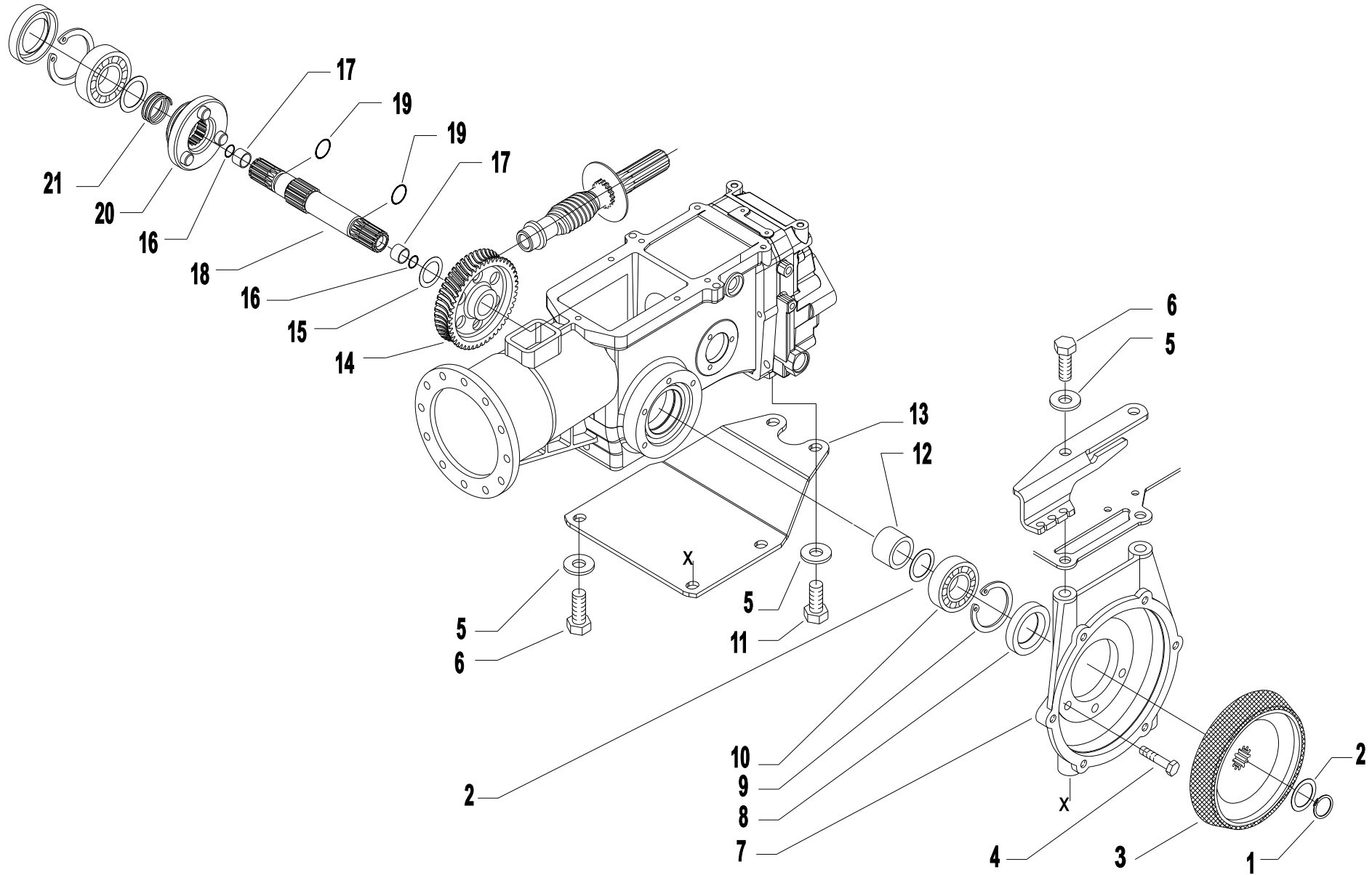
H.02.02.A0006_00



Pos.	Code	Q.ty	Description	Notes
1	F0843109020	1	PIPE FITTING	
2	31480184	1	COPPER WASHER 16,7x22/1,5	
3	58156449	1	SCREW	
4	58156448	1	PIPE FITTING	
5	31480180	1	COPPER WASHER 10,2x16/1	
6	58056671	1	GASKET	
7	59056700Z	1	SUCTION PIPE	
8	59056667	1	OIL PIPE	
9	56157187	1	PIPE	
10	56157198	1	PLUG	
11	58056688	1	SPRING	
12	56456657	1	VALVE	
13	56156658	1	VALVE SEAT	
14	31152049	1	SCREW TCEI M5X12 UNI 5931	
15	56156670	1	STOP	
16	56456663	1	CAP-WASHER	
17	56456627	1	DISTRIBUTOR	
18	56456662	1	FLAUTO	

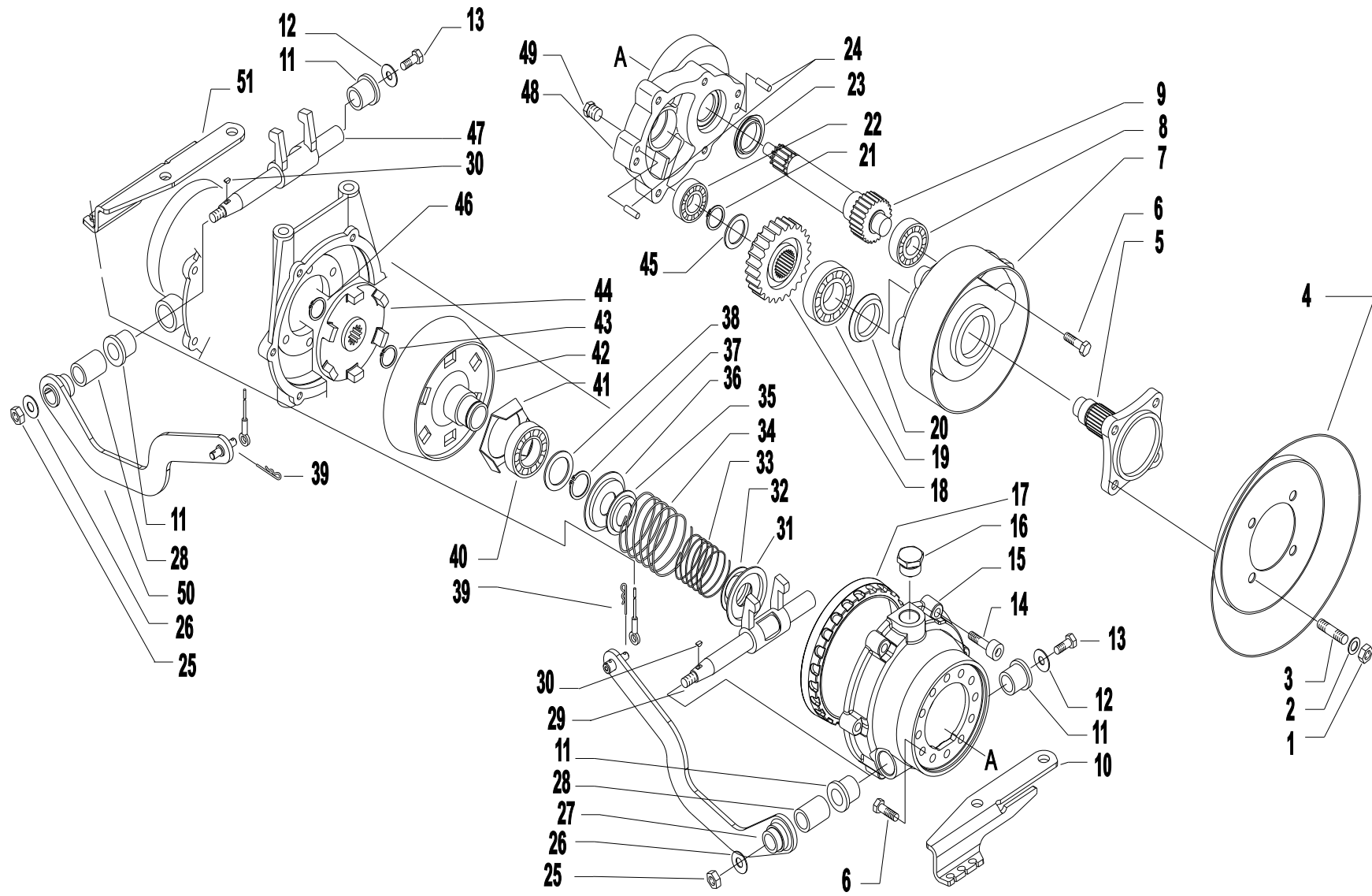


Pos.	Code	Q.ty	Description	Notes
1	56556316	1	BRAKE DISC	
2	56356321	1	PAD	
3	59056318	1	BRAKE LEVER	
4	31241064	1	SELFLOCK NUT M6	
5	56443871	1	ROD	
6	59256315	1	COMPLETE COVER	
7	31111097	1	SCREW TE M6X45 UNI 5737 8G	
8	59056440	1	CONNECTION	
9	56356437Z	1	SELECTOR	
10	31112170	1	SCREW TE C/F M8X20 DIN 6921	
11	37911532	1	BALL 15/32	
12	58043176	1	SPRING	
13	38111400	1	O-RING	
14	59056533	1	LEVER	
15	31241084	1	SELFLOCK NUT M8 6S	
16	35111042	1	SEEGER RING	
17	38115207	1	RING	
18	56156322	1	SPACER	
19	58056313	1	SPRING	
20	56156323	1	PISTON	
21	38000410	1	GASKET	
22	53256312	1	BODY	
23	31480180	1	COPPER WASHER 10,2x16/1	
24	31112166	1	SCREW TE C/F M8X25 DIN 6921 8G	
25	58192747	1	PIPE FITTING	



Pos.	Code	Q.ty	Description	Notes
1	35121024	1	SEEGER RING	
2	58025869	1	SHIM	
3	58025868	1	SHIM	
4	58025867	1	SHIM	
5	58025866	1	SHIM 0,2	
6	59056558	1	FRICTION CONE	
7	31112167	1	SCREW TE C/F M8X30 DIN 6921 8G	
8	31421130	1	WASHER	
9	31112272	1	SCREW TE M12X30 UNI 5739	Tighten to 8.5 Kgm
10	51356610V	1	FLANGE	
11	38213503	1	OIL SEAL 35X52X8	
12	35111052	1	SEEGER RING	
13	37111250	1	BEARING	
14	31112271	1	SCREW TE M12X25 UNI 5739	
15	56156568	1	SPACER	
16	56156656	1	SHIELD	
17	54156442	1	HELICAL CROWN	
18	31400205	1	SHIM PS 25x36/0,2	
19	38111191	1	O-RING	
20	30030011	1	BUSHING 12X14X10	
21	56456441	1	OUTPUT SHAFT	
22	38111800	1	O-RING	
23	59056445	1	COUPLING	
24	58056434	1	SPRING	

WHEELS AXLE



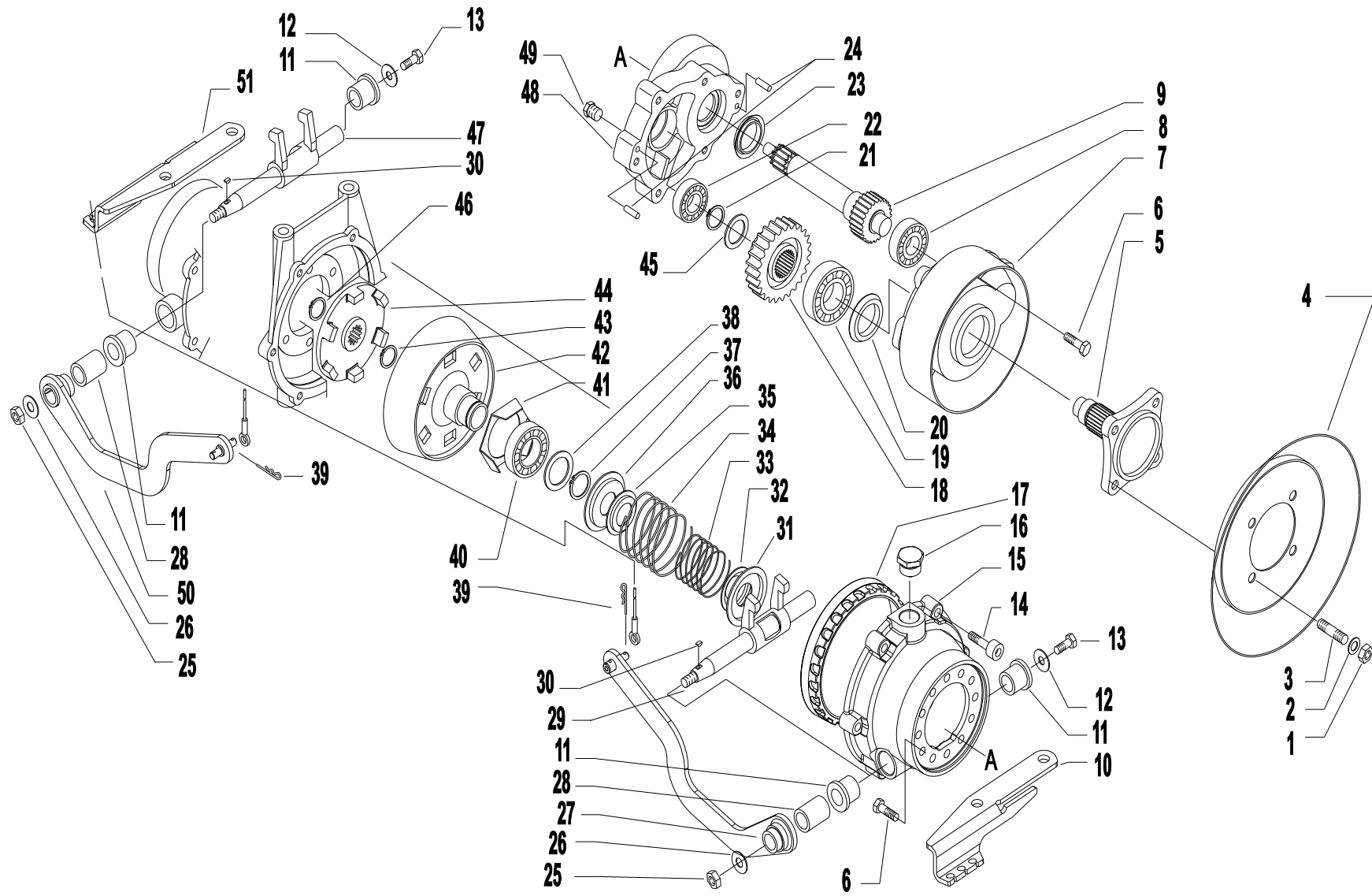
Pos.	Code	Q.ty	Description	Notes
1	31241100	1	SELFLOCK HEXAGON NUT M10	
2	31423105	1	SPRING WASHER 10,5	
3	31312102	1	STUD BOLT M10X40X24X12	
4	56157807	1	BOTTOM	
5	52456560	1	AXLE SHAFT	
6	31112166	1	SCREW TE C/F M8X25 DIN 6921 8G	
7	53257808V	1	COVER	
8	37111201	1	BEARING	
9	52456556	1	SHAFT	
10	56156544	1	SUPPORT	
11	30030018	1	BUSHING 18x25x25	
12	31411090	1	WASHER 9x24	
13	31112150	1	SCREW TE M8X20 UNI 5739 8G	
14	31152084	1	SCREW TCEI M8X35 UNI 5931	
15	53256549V	1	CLUTCH HOUSING	
16	56356545	1	SPECIAL SCREW	
17	59056547	1	RING	
18	52456564	1	GEAR	
19	37111300	1	BEARING	
20	38202003	1	OIL SEAL 40X52X7	
21	35121026	1	SEEGER RING	
22	37111200	1	BEARING	
23	38213003	1	OIL SEAL 30X47X7	
24	58043053	1	CYLINDRICAL PLUG	
25	31211100	1	NUT M10	
26	31421101	1	WASHER	
27	59056530N	1	COMMAND LEVER	
28	56156577	1	SPACER	
29	59056584	1	PIN	
30	34311040	1	KEY 4X6,5 UNI 6606	
31	56156566	1	STOP	
32	56156585	1	STOP	
33	58047875	1	SPRING	
34	58047885	1	COUPLING SPRING	

SERIAL

WHEELS AXLE

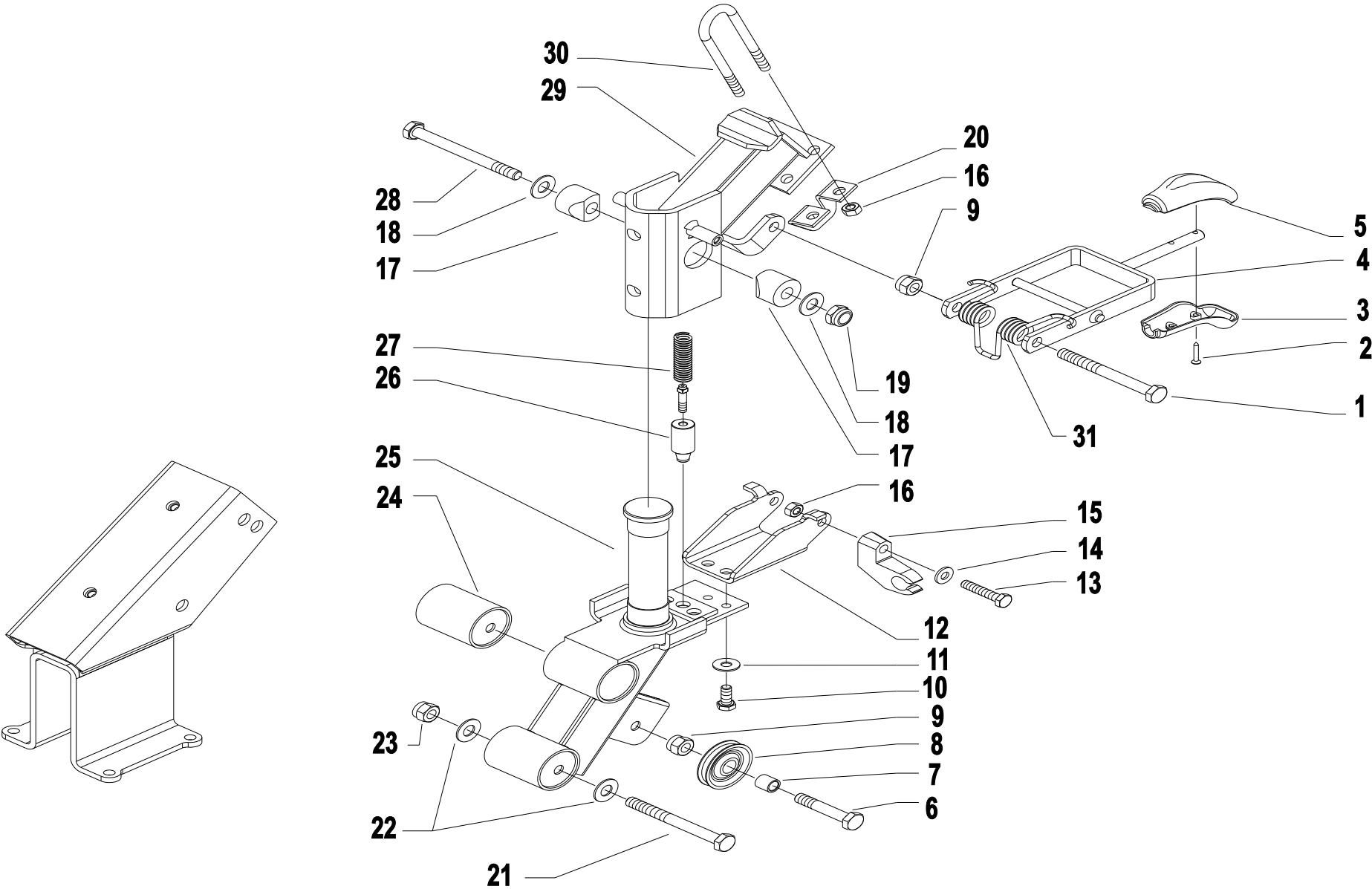
CODE REV

I.02.02.A0006_00



Pos.	Code	Q.ty	Description	Notes
35	56156585	1	STOP	
36	56156566	1	STOP	
37	35121030	1	SEEGER RING	
38	31400192	1	SHIM PS 30x42/1,5	
39	34110030	1	SPLIT PIN	
40	37112230	1	BEARING	
41	56347854	1	GUARD	
42	52356559	1	FRICITION CONE	
43	35121024	1	SEEGER RING	
44	52456567	1	DISC	
45	31400190	1	SHIM	
46	35121024	1	SEEGER RING	
47	59056583	1	PIN	
48	53256553V	1	FLANGE	
49	30040001	1	PLUG	
50	59056535N	1	COMMAND LEVER	
51	56156543	1	SUPPORT	

STEERING COLUMN



Pos.	Code	Q.ty	Description	Notes
1	31111229	1	SCREW TE M10X110 UNI 5737 8G	
2	31100451	1	SCREW 3,5X25	
3	55157213	1	GRIP	
4	59056887	1	LEVER	
5	55157212	1	GRIP	
6	31112211	1	SCREW TE M10X30 UNI 5739	
7	56120364	1	SLEEVE	
8	55220363	1	PULLEY	
9	31241100	1	SELFLOCK HEXAGON NUT M10	
10	31112093	1	SCREW TE M6X20	
11	31422064	1	SPRING WASHER 6,4	
12	59256880	1	CONNECTION	
13	31112153	1	SCREW TE M8X35 UNI 5739 8G	
14	31423084	1	SPRING WASHER 8,4	
15	55243340	1	SUPPORT	
16	31241080	1	HEXAGON SELFLOCK NUT M8	
17	52156917	1	WEDGE	
18	31421100	1	CUP SPRING	
19	31241126	1	SELFLOCK NUT M12	
20	56156948	1	STOP	
21	31112295	1	SCREW TE M12X90 UNI 5737	
22	31423130	1	SPRING WASHER 13	
23	31241121	1	SELFLOCK NUT M12	
24	30010120	1	SILENT-BLOCK 12X40X58X66	
25	59056886	1	COLUMN	
26	56356924	1	FERRULE	
27	58056918	1	SPRING	
28	31112293	1	SCREW TE M12X80 UNI 5737	
29	59056875	1	COLUMN	
30	56156940	1	U BOLT	
31	58056942	1	SPRING	

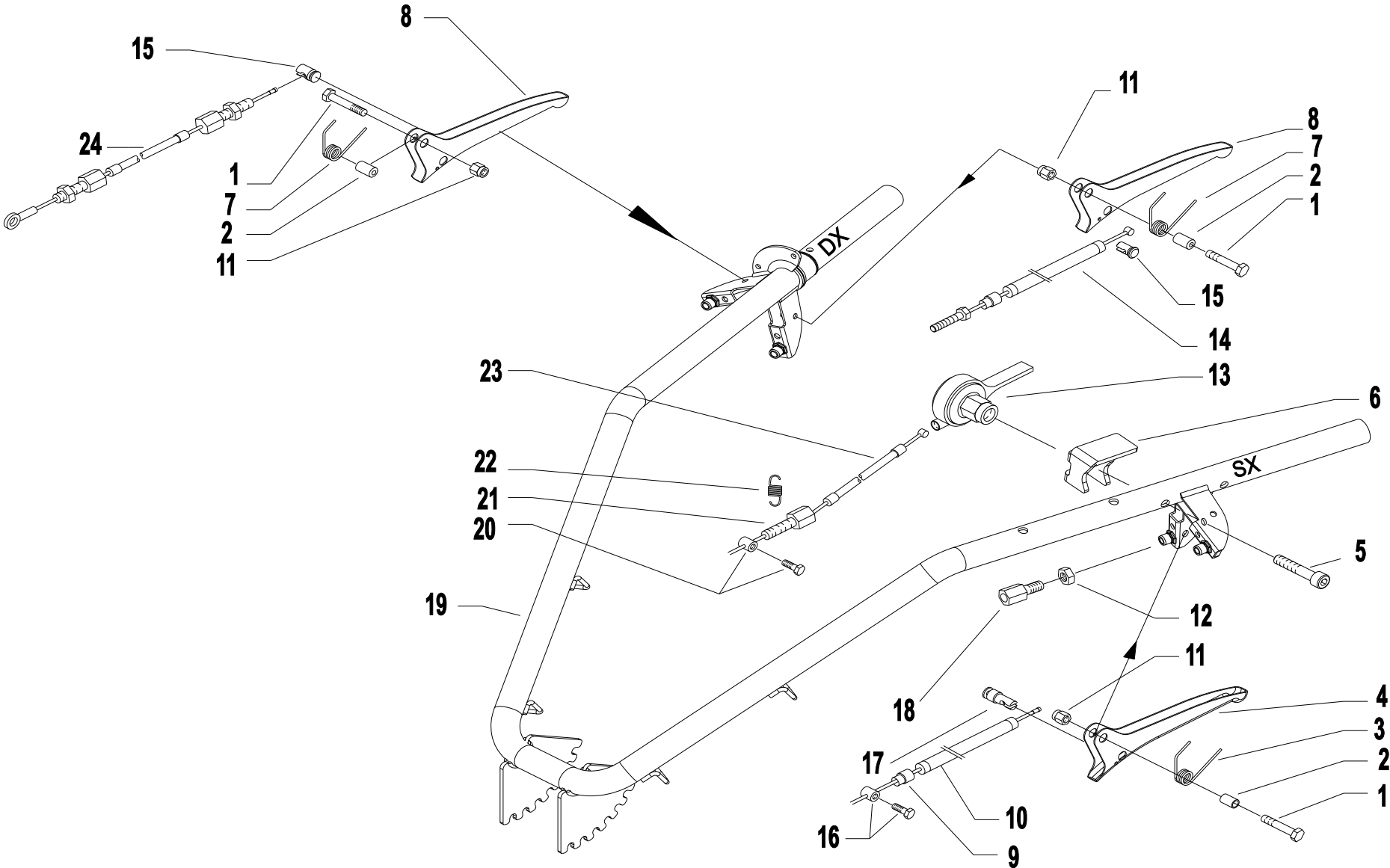
SERIAL

STEERING COLUMN

CODE REV

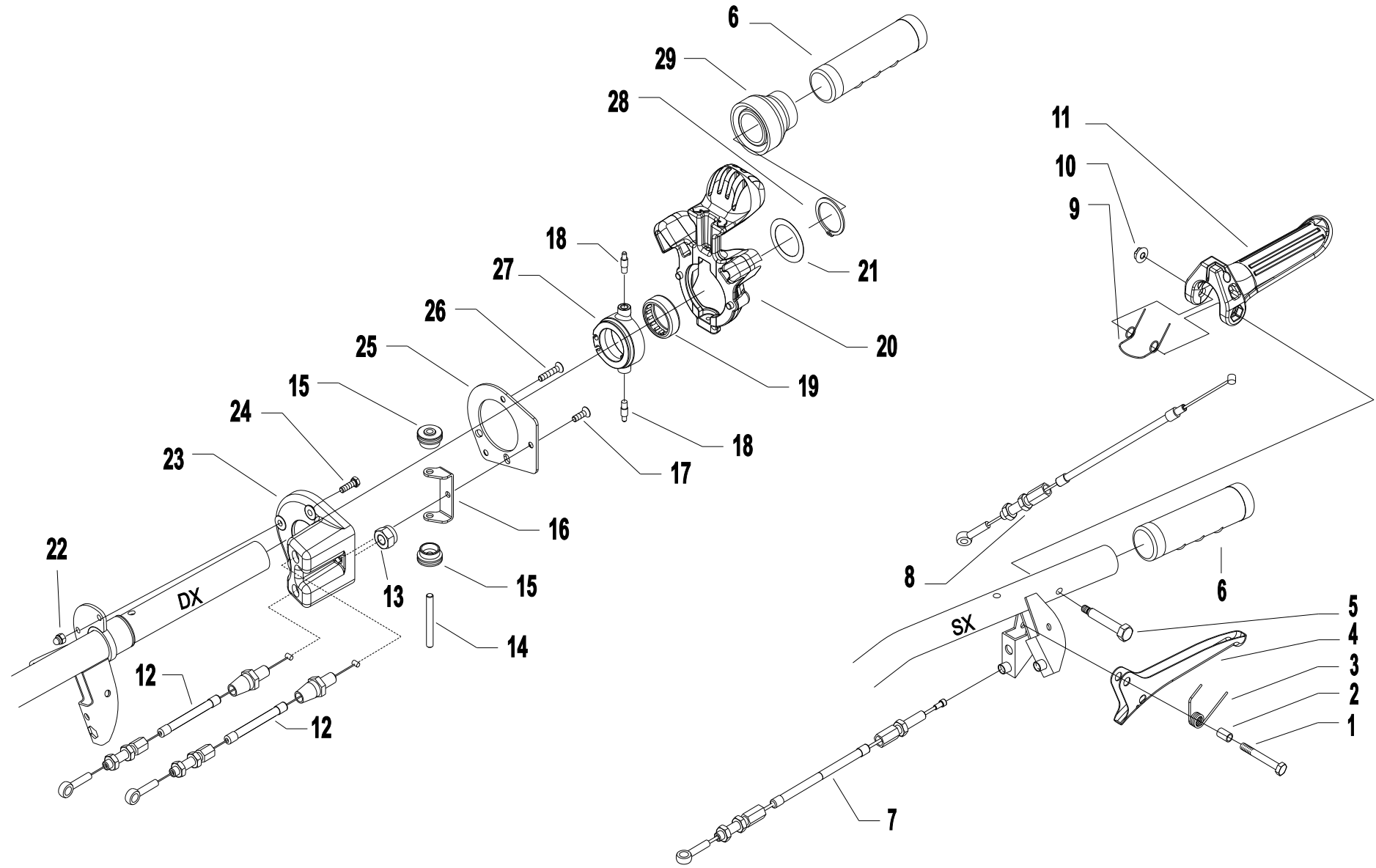
J.01.02.A0006_00

HANDLEBAR

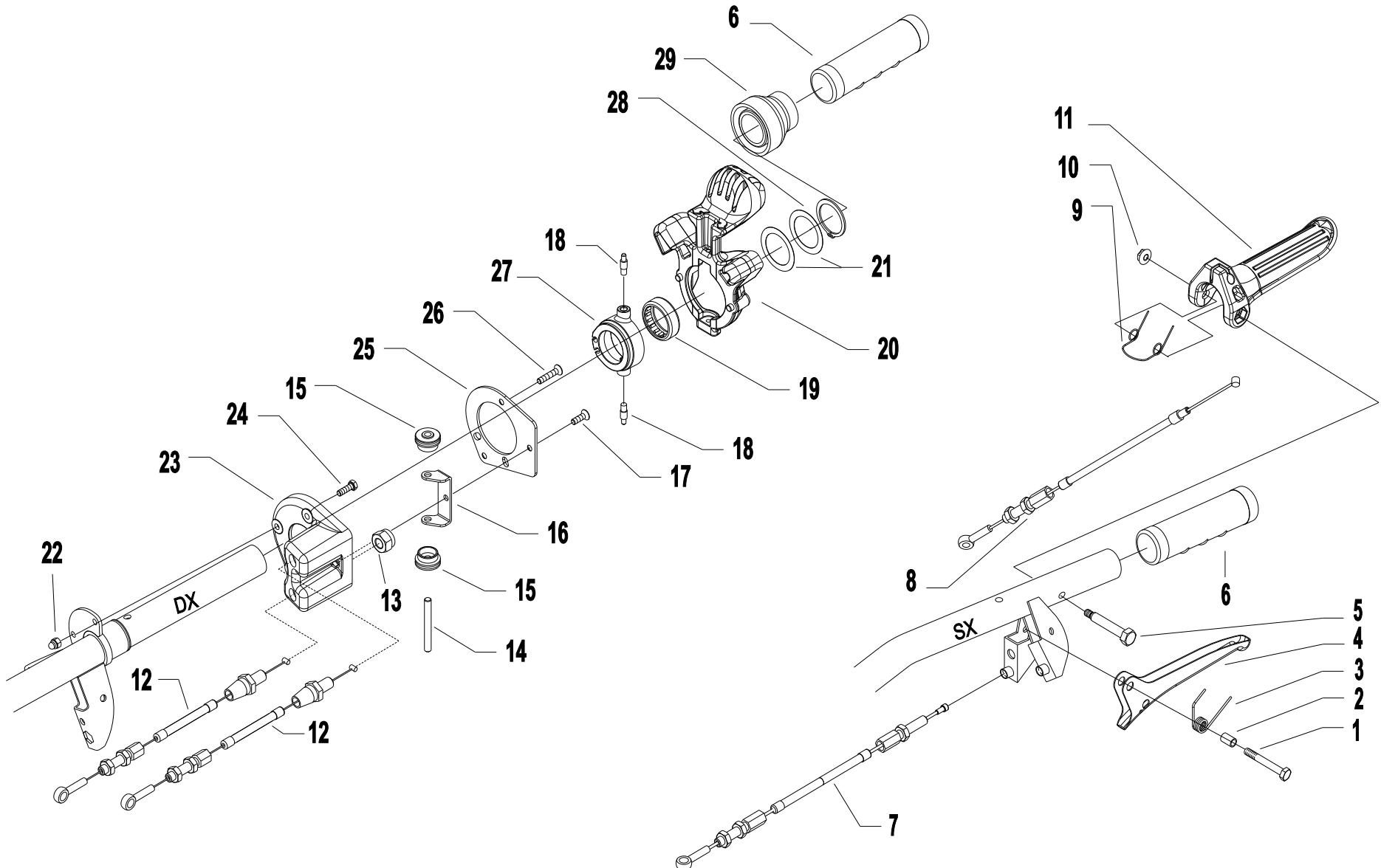


Pos.	Code	Q.ty	Description	Notes
1	31112089	1	SCREW TE M6X25 UNI 5739 8G	
2	56156603Z	1	SPACER	
3	58050345	1	SPRING	
4	56148470N	1	LEVER	
5	31121020	1	SCREW TBCEI M8X40 ISO7380 10K Z	
6	56156874N	1	PANEL	
7	58056605	1	SPRING	
8	56156604	1	CLUTCH LEVER	
9	58042167	1	SHEATH TERMINAL	
10	58057357	1	LINE AND SHEATH	
11	31241060	1	HEXAGON SELFLOCK NUT M6	
12	31211080	1	NUT M8	
13	58002538	1	COMMAND LEVER	
14	58057211	1	TRANSMISSION	
15	58150313	1	CABLE CLAMP	
16	58002429	1	CLAMPING SCREW	
17	56156591	1	CABLE CLAMP	
18	58042202	1	ADJUSTING SCREW	
19	59256540	1	HANDLE BAR	
20	58156156	1	TERMINAL	For motors GX340/GX390
21	58147704	1	ADJUSTING SCREW	For motors GX340/GX390
22	58056155	1	RESTORING SPRING	Utilizzato con motore GX270 - For motors GX340/GX390
23	58056812	1	LINE AND SHEATH	For the engine, EX35
24	58026222	1	LINE AND SHEATH	For motors L100/ LGA340
25	58057342	1	LINE AND SHEATH	For the engine, 15LD350
26	58056580	1	TRANSMISSION	

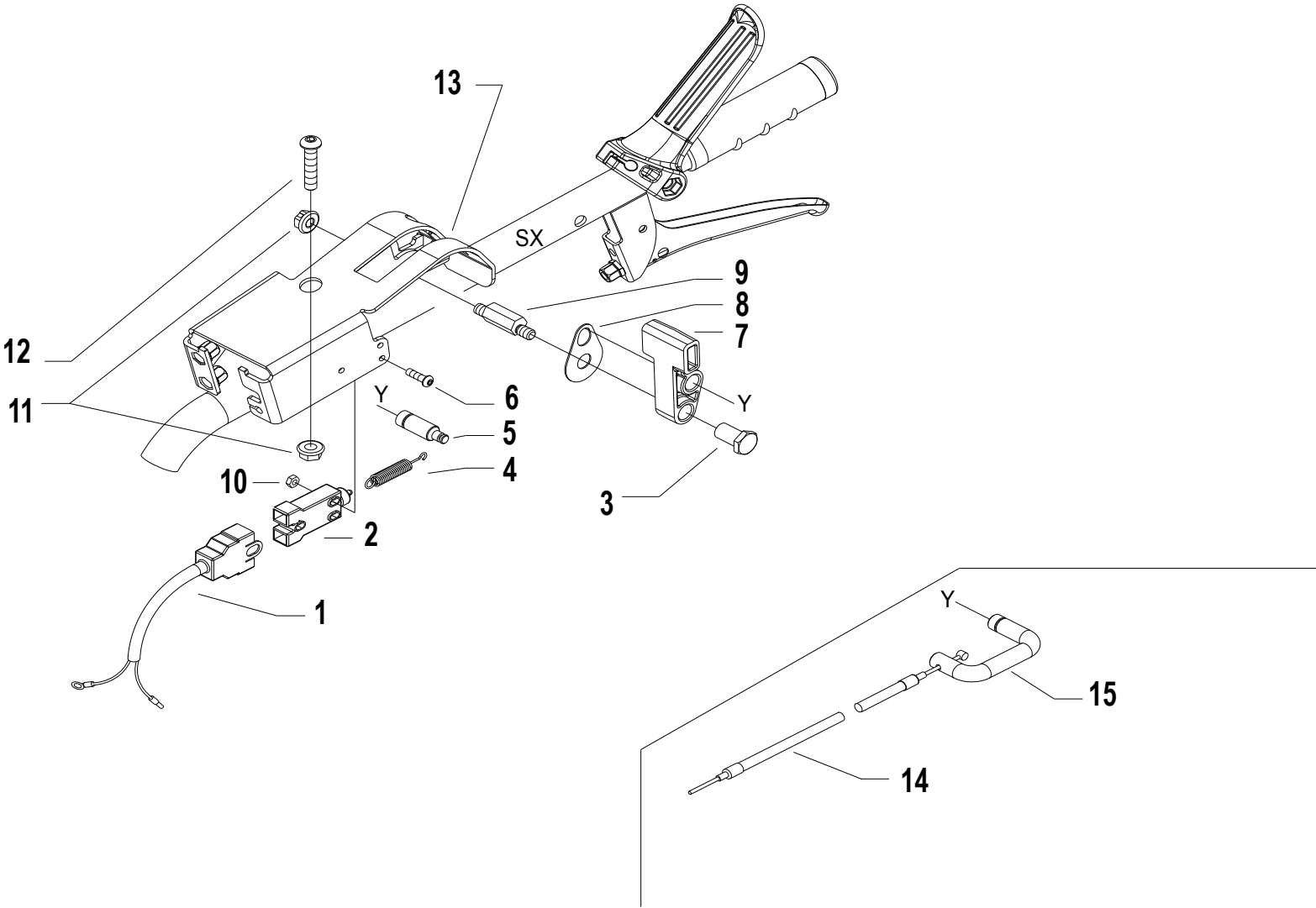
KNOB



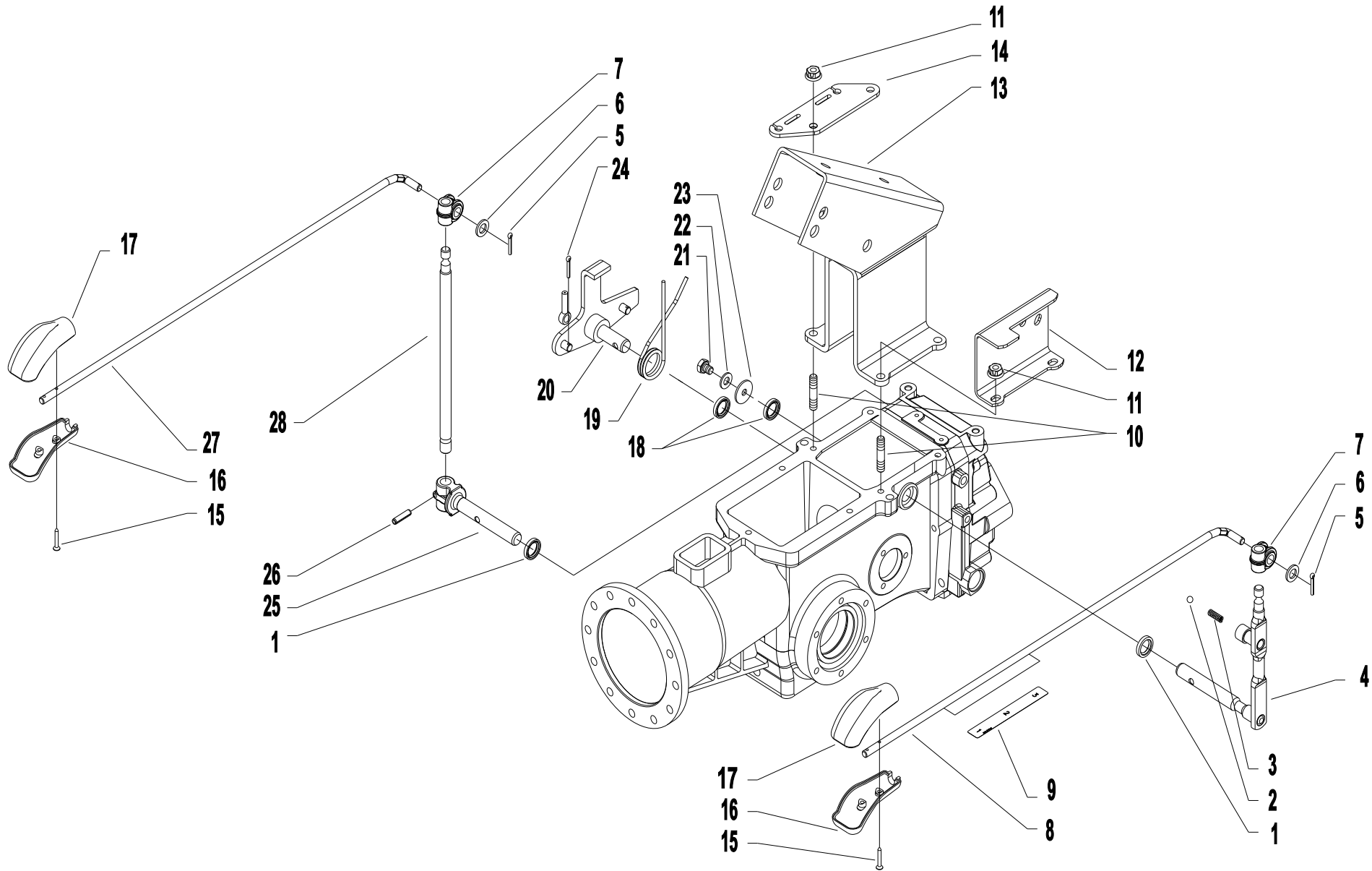
Pos.	Code	Q.ty	Description	Notes
1	31112089	1	SCREW TE M6X25 UNI 5739 8G	
2	56156603Z	1	SPACER	
3	58050345	1	SPRING	
4	56148470N	1	LEVER	
5	56356184Z	1	LEVER PIN	
6	58048000	1	KNOB	
7	58056523	1	LINE	
8	58056524	1	LINE	
9	58056186Z	1	SPRING	
10	31241065	1	SELFLOCK NUT M6	
11	55256185	1	LEVER	
12	58057181	1	COMPLETE TRANSMISSION	
13	31241098	1	SELFLOCK NUT M10x1,25	
14	56457191	1	PIN	
15	55257197	1	CHAIN PULLEY	
16	56157178	1	SUPPORT	
17	31132516	1	SCREW TSVEI M5X16 UNI 5933	
18	56156687Z	1	PIN	
19	37331303	1	BUSHING	
20	59256685	1	LEVER	
21	58125950	1	SHIM	
22	31241053	1	SELFLOK M5 UNI 986 C/CALOT	
23	55257175	1	BODY	
24	31112051	1	SCREW TE M5X14 UNI 5739 8G	
25	56657196	1	COVER	
26	31132525	1	SCREW TSVEI M5X25 UNI 5933	
27	55257127	1	GEAR WHEEL	
28	35121030	1	SEEGER RING	
29	55257141	1	SHIM	



Pos.	Code	Q.ty	Description	Notes
1	31112089	1	SCREW TE M6X25 UNI 5739 8G	
2	56156603Z	1	SPACER	
3	58050345	1	SPRING	
4	56148470N	1	LEVER	
5	56356184Z	1	LEVER PIN	
6	58048000	1	KNOB	
7	58056523	1	LINE	
8	58056524	1	LINE	
9	58056186Z	1	SPRING	
10	31241065	1	SELFLOCK NUT M6	
11	55256185	1	LEVER	
12	58057181	1	COMPLETE TRANSMISSION	
13	31241098	1	SELFLOCK NUT M10x1,25	
14	56457191	1	PIN	
15	55257197	1	CHAIN PULLEY	
16	56157178	1	SUPPORT	
17	31132516	1	SCREW TSVEI M5X16 UNI 5933	
18	56156687Z	1	PIN	
19	37331303	1	BUSHING	
20	59256685	1	LEVER	
21	31460465	1	SPRING SCHNORR K 46.5x30.5x0,6 243250	
22	31241053	1	SELFLOK M5 UNI 986 C/CALOT	
23	55257175	1	BODY	
24	31112051	1	SCREW TE M5X14 UNI 5739 8G	
25	56657196	1	COVER	
26	31132525	1	SCREW TSVEI M5X25 UNI 5933	
27	55257127	1	GEAR WHEEL	
28	35121030	1	SEEGER RING	
29	55257141	1	SHIM	



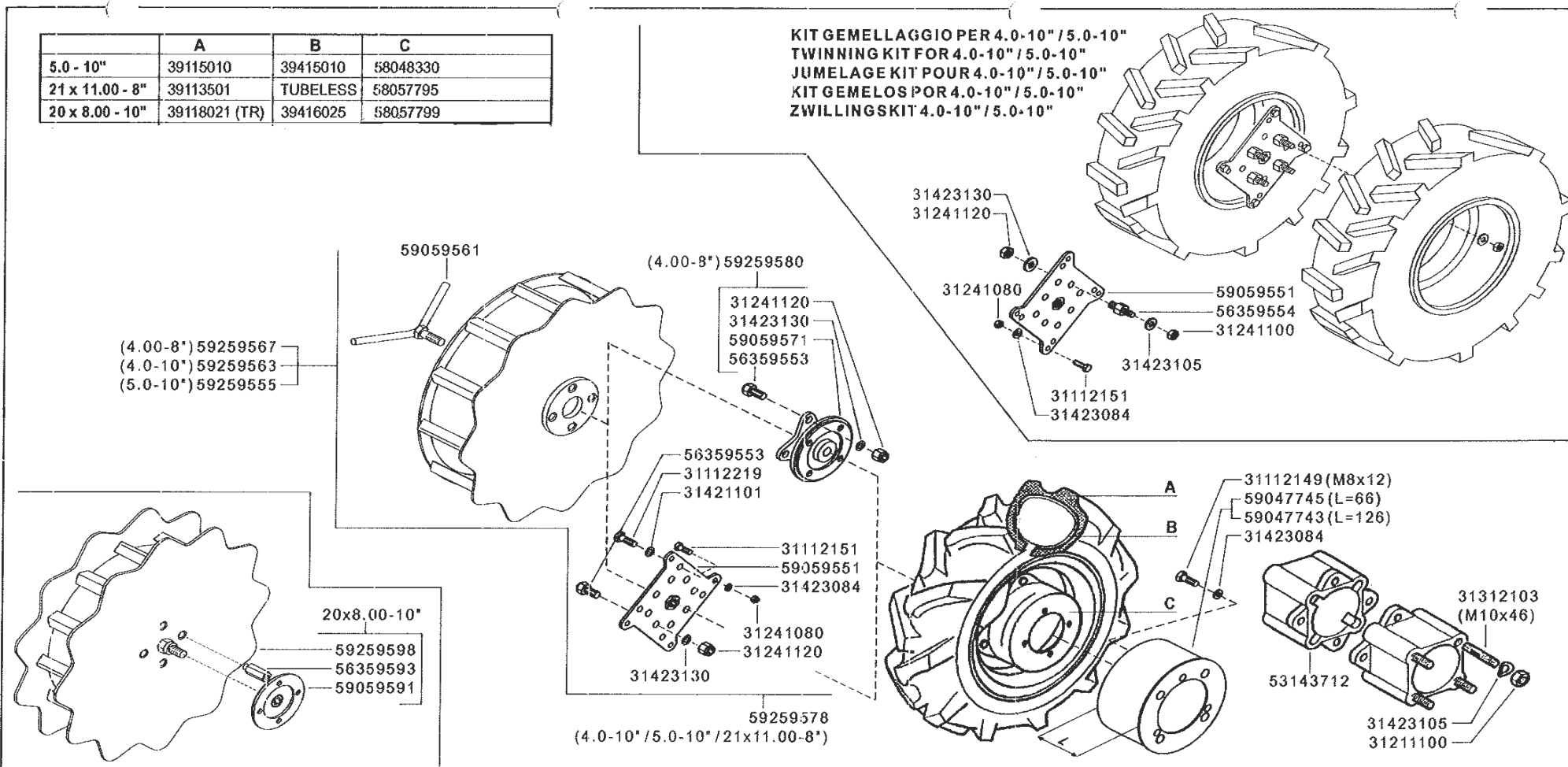
Pos.	Code	Q.ty	Description	Notes
1	58056837	1	WIRING	
2	58048009	1	SWITCH	
3	56148287	1	STUD BOLT	
4	58047712	1	SPRING	
5	56156834Z	1	INDEXING BOLT	
6	31121024	1	SCREW TBCEI FL.M4X25	
7	55256197	1	LEVER	
8	56356833Z	1	SMALL PLATE	
9	56356858Z	1	PIN	
10	31241042	1	SELFLOCK NUT M4 FL.6S	
11	31241084	1	SELFLOCK NUT M8 6S	
12	31121020	1	SCREW TBCEI M8X40 ISO7380 10K Z	
13	59256180	1	SUPPORT	
14	58048005	1	LINE AND SHEATH	For motors L100/ LGA340
14	58049505	1	LINE AND SHEATH	For the engine, 15LD350
15	56156832Z	1	U BOLT	



Pos.	Code	Q.ty	Description	Notes
1	38211400	1	OIL SEAL 14X22X4	
2	37911532	1	BALL 15/32	
3	58043176	1	SPRING	
4	59057371N	1	GEAR LEVER	
5	34110028	1	SPLIT PIN	
6	31411104	1	WASHER 10,5x18	
7	55242528	1	JOINT	
8	59057366N	1	PULL ROD	
9	58057645	1	DECAL	
10	31312088	1	STUD BOLT M8X40X14X14	
11	31241084	1	SELFLOCK NUT M8 6S	
12	56157372H	1	SELECTOR	
13	59056975	1	SUPPORT	
14	56156696H	1	SUPPORT	
15	31100451	1	SCREW 3,5X25	
16	55157213	1	GRIP	
17	55157212	1	GRIP	
18	38211400	1	OIL SEAL 14X22X4	
19	58056697Z	1	SPRING	
20	59057176	1	LEVER	
21	31112082	1	SCREW TE M6X12 UNI 5739 8G	
22	31421064	1	WASHER	
23	56158943	1	WASHER 7,0x25/2	
24	F0810505010	1	SPLIT PIN A2,0X201336	
25	52357250	1	PIN	
26	34213020	1	ROLL PIN	
27	56157367N	1	ROD	
28	56157256Z	1	PTO LEVER	

	A	B	C
5.0 - 10"	39115010	39415010	58048330
21 x 11.00 - 8"	39113501	TUBELESS	58057795
20 x 8.00 - 10"	39118021 (TR)	39416025	58057799

KIT GEMELLAGGIO PER 4.0-10" / 5.0-10"
TWINNING KIT FOR 4.0-10" / 5.0-10"
JUMELAGE KIT POUR 4.0-10" / 5.0-10"
KIT GEMELOS POR 4.0-10" / 5.0-10"
ZWILLINGSKIT 4.0-10" / 5.0-10"



Ferrari **500 serie PS**
PowerSafe®

WHEELS
 RUEDAS

RUOTE (530S ED)

ROUES
 RÄDER

DALLA MACCHINA
 DE LA MAQUINA
 DE LA MACHINE
 FROM THE MACHINE
 AB DER MASCHINE

N.

P01 0

04/2011

Rev.

ZENNE

Pos.	Code	Q.ty	Description	Notes
31112149	31112149	1	SCREW TE M8X12 UNI 5739 8G	
31112151	31112151	1	SCREW TE M8X25 UNI 5739 8G	
31112219	31112219	1	SCREW TE M10X25 UNI 5739	
31211100	31211100	1	NUT M10	
31241080	31241080	1	HEXAGON SELFLOCK NUT M8	
31241100	31241100	1	SELFLOCK HEXAGON NUT M10	
31241120	31241120	1	SELFLOCK NUT M12	
31312103	31312103	1	STUD BOLT M10X46X24X16	
31421101	31421101	1	WASHER	
31423084	31423084	1	SPRING WASHER 8,4	
31423105	31423105	1	SPRING WASHER 10,5	
31423130	31423130	1	SPRING WASHER 13	
53143712	53143712	1	SPACER	
56359553	56359553	1	PIN	
56359554	56359554	1	PIN	
56359593	56359593	1	DRIVING PIN	
59047743	59047743	1	HUBCOVER	
59047745	59047745	1	HUBCOVER	
59059551	59059551	1	FLANGE	
59059561	59059561	1	SCREW	
59059571	59059571	1	FLANGE	
59059591	59059591	1	SPACER	
59259598	59259598	1	WHEEL	



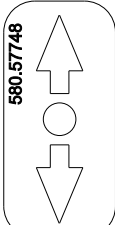
1



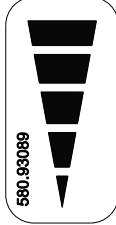
2



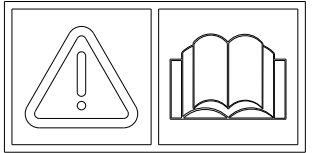
3



4



5



13



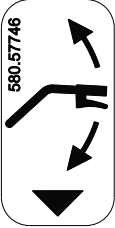
6



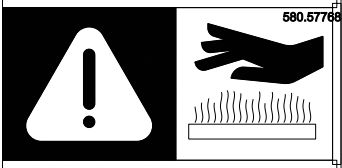
7



8



9



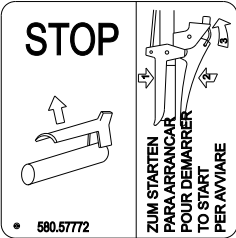
14



10



11

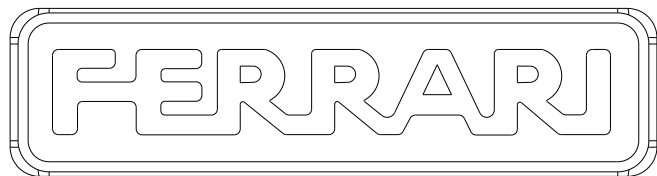


12



15

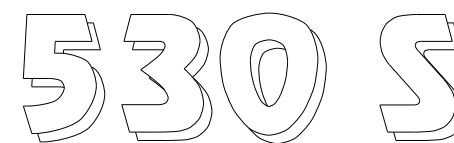
Pos.	Code	Q.ty	Description	Notes
1	58056866	1	DECAL	
2	58057774	1	DECAL	
3	58057773	1	DECAL	
4	58057748	1	DECAL	
5	58093089	1	DECAL	
6	58056869	1	DECAL	
7	58057645	1	DECAL	
8	58057458	1	DECAL	
9	58057746	1	DECAL	
10	58057770	1	DECAL	
11	58057747	1	DECAL	
12	58057772	1	DECAL	
13	58057724	1	DECAL	
14	58057768	1	DECAL	
15	58057767	1	DECAL	



1

PowerSafe ®

2



4

EasyDrive ®

3



5

Pos.	Code	Q.ty	Description	Notes
1	53052175	1	MEDIUM FERRARI BRAND	
2	53057666	1	POWERSAFE BRAND	
3	53057670	1	DECAL	
4	58052190	1	DECAL	
5	530C0056	1	DECAL	

SPARE PARTS INSTANCE INDEX





SPARE PARTS INSTANCE INDEX

Code	Parts Table	Pos.	Q.ty	Code	Parts Table	Pos.	Q.ty	Code	Parts Table	Pos.	Q.ty
30000197	B.01.01.A0001_03	9	1	31112167	I.01.02.A0006_00	7	1	31241080	A.01.02.A0006_00	4	1
30010120	J.01.02.A0006_00	24	1	31112170	H.04.02.A0006_00	10	1		J.01.02.A0006_00	16	1
30030011	I.01.02.A0006_00	20	1	31112211	J.01.02.A0006_00	6	1		P.01.02.A0006_00	31241080	1
30030018	I.02.02.A0006_00	11	1	31112219	P.01.02.A0006_00	31112219	1	31241083	F.01.05.A0005_00	3	1
30040001	I.02.02.A0006_00	49	1	31112271	I.01.02.A0006_00	14	1	31241084	G.01.02.A0006_00	2	1
31100015	F.01.05.A0005_00	15	1	31112272	I.01.02.A0006_00	9	1		H.04.02.A0006_00	15	1
31100023	E.01.05.A0005_02	16	1	31112293	J.01.02.A0006_00	28	1		L.02.02.A0006_00	11	1
31100029	E.01.05.A0005_02	13	1	31112295	J.01.02.A0006_00	21	1		M.01.02.A0006_00	11	1
31100031	E.01.05.A0005_02	13	1	31121005	A.01.02.A0006_00	6	1	31241098	L.01.02.A0006_00	13	1
31100451	J.01.02.A0006_00	2	1	31121020	K.01.02.A0006_00	5	1		L.01.02.A0006_01	13	1
	M.01.02.A0006_00	15	1		L.02.02.A0006_00	12	1	31241100	I.02.02.A0006_00	1	1
31104022	F.01.05.A0005_00	22	1	31121024	L.02.02.A0006_00	6	1		J.01.02.A0006_00	9	1
31111097	H.04.02.A0006_00	7	1	31132516	L.01.02.A0006_00	17	1		P.01.02.A0006_00	31241100	1
31111229	J.01.02.A0006_00	1	1		L.01.02.A0006_01	17	1	31241120	P.01.02.A0006_00	31241120	1
31112051	L.01.02.A0006_00	24	1	31132525	L.01.02.A0006_00	26	1	31241121	J.01.02.A0006_00	23	1
	L.01.02.A0006_01	24	1		L.01.02.A0006_01	26	1	31241126	J.01.02.A0006_00	19	1
31112081	A.01.02.A0006_00	14	1	31152049	H.03.02.A0006_00	14	1	31312073	F.01.05.A0005_00	6	1
31112082	M.01.02.A0006_00	21	1	31152060	B.01.01.A0001_03	24	1	31312078	G.01.02.A0006_00	16	1
31112083	G.01.02.A0006_00	6	1	31152063	B.01.01.A0001_03	1	1	31312088	G.01.02.A0006_00	12	1
31112084	A.01.02.A0006_00	18	1	31152064	H.02.02.A0006_00	23	1		M.01.02.A0006_00	10	1
	B.01.01.A0001_03	16	1	31152084	I.02.02.A0006_00	14	1	31312090	G.01.02.A0006_00	11	1
31112089	K.01.02.A0006_00	1	1	31152090	E.01.05.A0005_02	10	1	31312097	F.01.05.A0005_00	4	1
	L.01.02.A0006_00	1	1	31211080	K.01.02.A0006_00	12	1		G.01.02.A0006_00	9	1
	L.01.02.A0006_01	1	1	31211100	I.02.02.A0006_00	25	1	31312102	I.02.02.A0006_00	3	1
31112093	J.01.02.A0006_00	10	1		P.01.02.A0006_00	31211100	1	31312103	P.01.02.A0006_00	31312103	1
31112099	D.01.01.A0001_02	2	1	31221121	G.01.02.A0006_00	5	1	31312125	G.01.02.A0006_00	3	1
31112149	P.01.02.A0006_00	31112149	1	31241042	L.02.02.A0006_00	10	1	31400190	I.02.02.A0006_00	45	1
31112150	A.01.02.A0006_00	12	1	31241053	L.01.02.A0006_00	22	1	31400192	I.02.02.A0006_00	38	1
	I.02.02.A0006_00	13	1		L.01.02.A0006_01	22	1	31400205	I.01.02.A0006_00	18	1
31112151	P.01.02.A0006_00	31112151	1	31241060	K.01.02.A0006_00	11	1	31411084	A.01.02.A0006_00	3	1
31112153	J.01.02.A0006_00	13	1	31241064	H.04.02.A0006_00	4	1	31411090	I.02.02.A0006_00	12	1
31112154	A.01.02.A0006_00	2	1	31241065	A.01.02.A0006_00	16	1	31411104	M.01.02.A0006_00	6	1
31112166	H.04.02.A0006_00	24	1		L.01.02.A0006_00	10	1	31421064	M.01.02.A0006_00	22	1
	I.02.02.A0006_00	6	1		L.01.02.A0006_01	10	1	31421083	A.01.02.A0006_00	11	1



SPARE PARTS INSTANCE INDEX

Code	Parts Table	Pos.	Q.ty	Code	Parts Table	Pos.	Q.ty	Code	Parts Table	Pos.	Q.ty
31421083	E.01.05.A0005_02	9	1	35111053	H.01.02.A0006_00	17	1	38000410	H.04.02.A0006_00	21	1
	E.01.05.A0005_02	15	1	35111055	H.01.02.A0006_00	6	1	38110675	E.01.05.A0005_02	7	1
31421100	J.01.02.A0006_00	18	1	35120007	H.02.02.A0006_00	34	1	38110873	D.01.01.A0001_02	4	1
31421101	I.02.02.A0006_00	26	1	35121024	I.01.02.A0006_00	1	1		F.01.05.A0005_00	25	1
	P.01.02.A0006_00	31421101	1		I.02.02.A0006_00	43	1	38111191	I.01.02.A0006_00	19	1
31421130	I.01.02.A0006_00	8	1		I.02.02.A0006_00	46	1	38111400	H.04.02.A0006_00	13	1
31421132	G.01.02.A0006_00	4	1	35121026	I.02.02.A0006_00	21	1	38111800	I.01.02.A0006_00	22	1
31422064	J.01.02.A0006_00	11	1	35121030	I.02.02.A0006_00	37	1	38111872	E.01.05.A0005_02	1	1
31423084	F.01.05.A0005_00	23	1		L.01.02.A0006_00	28	1	38114569	H.02.02.A0006_00	21	1
	J.01.02.A0006_00	14	1		L.01.02.A0006_01	28	1	38115207	H.04.02.A0006_00	17	1
	P.01.02.A0006_00	31423084	1	35121031	H.01.02.A0006_00	4	1	38118859	C.01.01.A0001_02	1	1
31423105	I.02.02.A0006_00	2	1	35122028	H.02.02.A0006_00	1	1	38119823	F.01.05.A0005_00	2	1
	P.01.02.A0006_00	31423105	1	35211050	B.01.01.A0001_03	17	1		F.01.05.A0005_00	14	1
31423130	J.01.02.A0006_00	22	1	35211060	B.01.01.A0001_03	15	1		F.01.05.A0005_00	21	1
	P.01.02.A0006_00	31423130	1	35211120	H.01.02.A0006_00	22	1	38120500	C.01.01.A0001_02	9	1
31460465	L.01.02.A0006_01	21	1	37111121	H.02.02.A0006_00	30	1	38120580	H.02.02.A0006_00	13	1
31460515	H.02.02.A0006_00	8	1	37111151	H.01.02.A0006_00	1	1	38140750	H.02.02.A0006_00	14	1
31480180	H.03.02.A0006_00	5	1	37111152	H.01.02.A0006_00	21	1	38140850	C.01.01.A0001_02	11	1
	H.04.02.A0006_00	23	1	37111200	I.02.02.A0006_00	22	1	38202003	I.02.02.A0006_00	20	1
31480184	B.01.01.A0001_03	10	1	37111201	I.02.02.A0006_00	8	1	38211400	B.01.01.A0001_03	19	1
	G.01.02.A0006_00	14	1	37111250	I.01.02.A0006_00	13	1		M.01.02.A0006_00	1	1
	H.03.02.A0006_00	2	1	37111255	H.01.02.A0006_00	14	1		M.01.02.A0006_00	18	1
34110028	M.01.02.A0006_00	5	1	37111300	I.02.02.A0006_00	19	1	38212500	F.01.05.A0005_00	20	1
34110030	I.02.02.A0006_00	39	1	37112229	H.01.02.A0006_00	5	1	38213003	I.02.02.A0006_00	23	1
34213020	M.01.02.A0006_00	26	1	37112230	I.02.02.A0006_00	40	1	38213202	F.01.05.A0005_00	1	1
34213060	H.01.02.A0006_00	26	1	37121150	H.02.02.A0006_00	11	1	38213500	F.01.05.A0005_00	13	1
34213061	H.01.02.A0006_00	13	1	37141253	C.01.01.A0001_02	7	1	38213503	I.01.02.A0006_00	11	1
34221040	B.01.01.A0001_03	5	1	37161500	C.01.01.A0001_02	3	1	38213800	H.01.02.A0006_00	7	1
	H.02.02.A0006_00	27	1	37331303	L.01.02.A0006_00	19	1	51156214	B.01.01.A0001_03	2	1
34311040	I.02.02.A0006_00	30	1		L.01.02.A0006_01	19	1	51156631	H.02.02.A0006_00	24	1
35111029	E.01.05.A0005_02	5	1	37341350	H.02.02.A0006_00	16	1	51356610V	I.01.02.A0006_00	10	1
35111035	H.02.02.A0006_00	17	1	37910832	H.01.02.A0006_00	9	1	52156917	J.01.02.A0006_00	17	1
35111042	H.04.02.A0006_00	16	1	37911532	H.04.02.A0006_00	11	1	52356559	I.02.02.A0006_00	42	1
35111052	I.01.02.A0006_00	12	1		M.01.02.A0006_00	2	1	52357250	M.01.02.A0006_00	25	1



SPARE PARTS INSTANCE INDEX

Code	Parts Table	Pos.	Q.ty	Code	Parts Table	Pos.	Q.ty	Code	Parts Table	Pos.	Q.ty
52456217	B.01.01.A0001_03	3	1	530C0056	Q.02.02.A0006_00	5	1	55257175	L.01.02.A0006_00	23	1
52456220	B.01.01.A0001_03	20	1	53143712	P.01.02.A0006_00	53143712	1		L.01.02.A0006_01	23	1
52456223	B.01.01.A0001_03	4	1	53156202V	G.01.02.A0006_00	15	1	55257197	L.01.02.A0006_00	15	1
52456233	E.01.05.A0005_02	11	1	53156205	F.01.05.A0005_00	12	1		L.01.02.A0006_01	15	1
52456234	E.01.05.A0005_02	14	1	53156206	F.01.05.A0005_00	24	1	55257501	A.01.02.A0006_00	8	1
52456235	B.01.01.A0001_03	29	1	53156207	F.01.05.A0005_00	5	1	56120364	J.01.02.A0006_00	7	1
52456236	F.01.05.A0005_00	10	1	53156209	D.01.01.A0001_02	3	1	56147520Z	G.01.02.A0006_00	7	1
52456237	F.01.05.A0005_00	18	1	53156210	C.01.01.A0001_02	8	1	56148287	L.02.02.A0006_00	3	1
52456243	E.01.05.A0005_02	2	1	53156218	C.01.01.A0001_02	10	1	56148470N	K.01.02.A0006_00	4	1
52456245	E.01.05.A0005_02	6	1	53156332V	G.01.02.A0006_00	1	1		L.01.02.A0006_00	4	1
52456352	F.01.05.A0005_00	10	1	53156659	D.01.01.A0001_02	3	1		L.01.02.A0006_01	4	1
52456354	H.01.02.A0006_00	18	1	53256312	H.04.02.A0006_00	22	1	56156119N	A.01.02.A0006_00	1	1
52456360	H.01.02.A0006_00	19	1	53256549V	I.02.02.A0006_00	15	1	56156134H	A.01.02.A0006_00	17	1
52456389	H.01.02.A0006_00	27	1	53256553V	I.02.02.A0006_00	48	1	56156224	B.01.01.A0001_03	23	1
52456390	H.01.02.A0006_00	12	1	53257808V	I.02.02.A0006_00	7	1	56156247	C.01.01.A0001_02	4	1
52456427	H.02.02.A0006_00	7	1	532C0055	F.01.05.A0005_00	7	1	56156276	F.01.05.A0005_00	16	1
52456556	I.02.02.A0006_00	9	1	54156442	I.01.02.A0006_00	17	1	56156281	F.01.05.A0005_00	8	1
52456560	I.02.02.A0006_00	5	1	55102678	G.01.02.A0006_00	17	1	56156288Z	E.01.05.A0005_02	8	1
52456564	I.02.02.A0006_00	18	1	55157212	J.01.02.A0006_00	5	1	56156322	H.04.02.A0006_00	18	1
52456567	I.02.02.A0006_00	44	1		M.01.02.A0006_00	17	1	56156323	H.04.02.A0006_00	20	1
52456620	H.01.02.A0006_00	8	1	55157213	J.01.02.A0006_00	3	1	56156543	I.02.02.A0006_00	51	1
52456626	H.01.02.A0006_00	20	1		M.01.02.A0006_00	16	1	56156544	I.02.02.A0006_00	10	1
52456632	H.02.02.A0006_00	26	1	55220363	J.01.02.A0006_00	8	1	56156566	I.02.02.A0006_00	31	1
52456633	H.02.02.A0006_00	25	1	55242528	M.01.02.A0006_00	7	1		I.02.02.A0006_00	36	1
52456636	H.02.02.A0006_00	33	1	55243340	J.01.02.A0006_00	15	1	56156568	I.01.02.A0006_00	15	1
52456675	H.02.02.A0006_00	20	1	55252500	A.01.02.A0006_00	13	1	56156577	I.02.02.A0006_00	28	1
52456676	H.02.02.A0006_00	15	1	55256185	L.01.02.A0006_00	11	1	56156585	I.02.02.A0006_00	32	1
52456677	H.02.02.A0006_00	9	1		L.01.02.A0006_01	11	1		I.02.02.A0006_00	35	1
52456694	C.01.01.A0001_02	6	1	55256197	L.02.02.A0006_00	7	1	56156591	K.01.02.A0006_00	17	1
52456706	H.01.02.A0006_00	3	1	55256228	B.01.01.A0001_03	13	1	56156603Z	K.01.02.A0006_00	2	1
52456802	H.02.02.A0006_00	19	1	55257127	L.01.02.A0006_00	27	1		L.01.02.A0006_00	2	1
53052175	Q.02.02.A0006_00	1	1		L.01.02.A0006_01	27	1		L.01.02.A0006_01	2	1
53057666	Q.02.02.A0006_00	2	1	55257141	L.01.02.A0006_00	29	1	56156604	K.01.02.A0006_00	8	1
53057670	Q.02.02.A0006_00	3	1		L.01.02.A0006_01	29	1	56156647	H.02.02.A0006_00	12	1

SPARE PARTS INSTANCE INDEX

Code	Parts Table	Pos.	Q.ty	Code	Parts Table	Pos.	Q.ty	Code	Parts Table	Pos.	Q.ty
56156654	H.02.02.A0006_00	31	1	56356321	H.04.02.A0006_00	2	1	56657196	L.01.02.A0006_01	25	1
56156655	H.02.02.A0006_00	32	1	56356328	H.01.02.A0006_00	16	1	57156652	H.02.02.A0006_00	18	1
56156656	I.01.02.A0006_00	16	1	56356329	H.01.02.A0006_00	16	1	58002429	K.01.02.A0006_00	16	1
56156658	B.01.01.A0001_03	26	1	56356330	H.01.02.A0006_00	16	1	58002538	K.01.02.A0006_00	13	1
	H.03.02.A0006_00	13	1	56356331	H.01.02.A0006_00	16	1	58025866	I.01.02.A0006_00	5	1
56156670	H.03.02.A0006_00	15	1	56356437Z	H.04.02.A0006_00	9	1	58025867	I.01.02.A0006_00	4	1
56156687Z	L.01.02.A0006_00	18	1	56356545	I.02.02.A0006_00	16	1	58025868	I.01.02.A0006_00	3	1
	L.01.02.A0006_01	18	1	56356641	H.02.02.A0006_00	5	1	58025869	I.01.02.A0006_00	2	1
56156696H	M.01.02.A0006_00	14	1	56356642	H.02.02.A0006_00	4	1	58026222	K.01.02.A0006_00	24	1
56156803	H.02.02.A0006_00	2	1	56356661	B.01.01.A0001_03	22	1	58042167	K.01.02.A0006_00	9	1
56156832Z	L.02.02.A0006_00	15	1		H.02.02.A0006_00	28	1	58042202	K.01.02.A0006_00	18	1
56156834Z	L.02.02.A0006_00	5	1	56356833Z	L.02.02.A0006_00	8	1	58043053	G.01.02.A0006_00	10	1
56156874N	K.01.02.A0006_00	6	1	56356858Z	L.02.02.A0006_00	9	1		H.02.02.A0006_00	29	1
56156940	J.01.02.A0006_00	30	1	56356924	J.01.02.A0006_00	26	1		I.02.02.A0006_00	24	1
56156948	J.01.02.A0006_00	20	1	56359553	P.01.02.A0006_00	56359553	1	58043086	H.01.02.A0006_00	11	1
56157178	L.01.02.A0006_00	16	1	56359554	P.01.02.A0006_00	56359554	1	58043176	H.04.02.A0006_00	12	1
	L.01.02.A0006_01	16	1	56359593	P.01.02.A0006_00	56359593	1		M.01.02.A0006_00	3	1
56157187	H.03.02.A0006_00	9	1	56443871	H.04.02.A0006_00	5	1	58047712	L.02.02.A0006_00	4	1
56157198	H.03.02.A0006_00	10	1	56456314	H.01.02.A0006_00	15	1	58047875	I.02.02.A0006_00	33	1
56157256Z	M.01.02.A0006_00	28	1	56456441	I.01.02.A0006_00	21	1	58047885	I.02.02.A0006_00	34	1
56157367N	M.01.02.A0006_00	27	1	56456627	H.03.02.A0006_00	17	1	58048000	L.01.02.A0006_00	6	1
56157372H	M.01.02.A0006_00	12	1	56456640	H.02.02.A0006_00	3	1		L.01.02.A0006_01	6	1
56157555	A.01.02.A0006_00	7	1	56456657	B.01.01.A0001_03	25	1	58048005	L.02.02.A0006_00	14	1
56157807	I.02.02.A0006_00	4	1		H.03.02.A0006_00	12	1	58048009	L.02.02.A0006_00	2	1
56158943	M.01.02.A0006_00	23	1	56456662	H.03.02.A0006_00	18	1	58049505	L.02.02.A0006_00	14	1
56347854	I.02.02.A0006_00	41	1	56456663	H.03.02.A0006_00	16	1	58050345	K.01.02.A0006_00	3	1
56347870Z	E.01.05.A0005_02	4	1	56456669	H.01.02.A0006_00	28	1		L.01.02.A0006_00	3	1
56347873	E.01.05.A0005_02	3	1	56457191	L.01.02.A0006_00	14	1		L.01.02.A0006_01	3	1
56356184Z	L.01.02.A0006_00	5	1		L.01.02.A0006_01	14	1	58052190	Q.02.02.A0006_00	4	1
	L.01.02.A0006_01	5	1	56556213	C.01.01.A0001_02	5	1	58056155	K.01.02.A0006_00	22	1
56356216	C.01.01.A0001_02	2	1	56556282	E.01.05.A0005_02	12	1	58056186Z	L.01.02.A0006_00	9	1
56356239	F.01.05.A0005_00	9	1	56556316	H.04.02.A0006_00	1	1		L.01.02.A0006_01	9	1
56356240	F.01.05.A0005_00	17	1	56556682	H.02.02.A0006_00	6	1	58056208	D.01.01.A0001_02	1	1
56356242	B.01.01.A0001_03	28	1	56657196	L.01.02.A0006_00	25	1	58056221	B.01.01.A0001_03	21	1

SPARE PARTS INSTANCE INDEX

Code	Parts Table	Pos.	Q.ty	Code	Parts Table	Pos.	Q.ty	Code	Parts Table	Pos.	Q.ty
58056222	B.01.01.A0001_03	12	1	58057748	Q.01.05.A0005_01	4	1	59056584	I.02.02.A0006_00	29	1
58056313	H.04.02.A0006_00	19	1	58057767	Q.01.05.A0005_01	15	1	59056619	H.02.02.A0006_00	10	1
58056391	H.01.02.A0006_00	10	1	58057768	Q.01.05.A0005_01	14	1	59056667	H.03.02.A0006_00	8	1
58056434	I.01.02.A0006_00	24	1	58057770	Q.01.05.A0005_01	10	1	59056700Z	H.03.02.A0006_00	7	1
58056447	G.01.02.A0006_00	8	1	58057772	Q.01.05.A0005_01	12	1	59056712	H.01.02.A0006_00	2	1
58056523	L.01.02.A0006_00	7	1	58057773	Q.01.05.A0005_01	3	1	59056875	J.01.02.A0006_00	29	1
	L.01.02.A0006_01	7	1	58057774	Q.01.05.A0005_01	2	1	59056886	J.01.02.A0006_00	25	1
58056524	L.01.02.A0006_00	8	1	58093089	Q.01.05.A0005_01	5	1	59056887	J.01.02.A0006_00	4	1
	L.01.02.A0006_01	8	1	580C0041	B.01.01.A0001_03	7	1	59056975	M.01.02.A0006_00	13	1
58056580	K.01.02.A0006_00	26	1	58125950	L.01.02.A0006_00	21	1	59057176	M.01.02.A0006_00	20	1
58056605	K.01.02.A0006_00	7	1	58147704	K.01.02.A0006_00	21	1	59057366N	M.01.02.A0006_00	8	1
58056671	H.03.02.A0006_00	6	1	58150313	K.01.02.A0006_00	15	1	59057371N	M.01.02.A0006_00	4	1
58056683	B.01.01.A0001_03	27	1	58156135	A.01.02.A0006_00	15	1	59057504	A.01.02.A0006_00	9	1
58056688	H.03.02.A0006_00	11	1	58156156	K.01.02.A0006_00	20	1	59059551	P.01.02.A0006_00	59059551	1
58056697Z	M.01.02.A0006_00	19	1	58156448	H.03.02.A0006_00	4	1	59059561	P.01.02.A0006_00	59059561	1
58056812	K.01.02.A0006_00	23	1	58156449	H.03.02.A0006_00	3	1	59059571	P.01.02.A0006_00	59059571	1
58056837	L.02.02.A0006_00	1	1	58170021	B.01.01.A0001_03	6	1	59059591	P.01.02.A0006_00	59059591	1
58056866	Q.01.05.A0005_01	1	1	58192747	H.04.02.A0006_00	25	1	59256035	D.01.01.A0001_02	5	1
58056869	Q.01.05.A0005_01	6	1	59015425	G.01.02.A0006_00	18	1	59256036	D.01.01.A0001_02	5	1
58056889	A.01.02.A0006_00	5	1	59047743	P.01.02.A0006_00	59047743	1	59256037	D.01.01.A0001_02	5	1
58056918	J.01.02.A0006_00	27	1	59047745	P.01.02.A0006_00	59047745	1	59256038	D.01.01.A0001_02	5	1
58056942	J.01.02.A0006_00	31	1	59056111N	A.01.02.A0006_00	1	1	59256039	D.01.01.A0001_02	5	1
58056991	A.01.02.A0006_00	10	1	59056225Z	B.01.01.A0001_03	14	1	59256180	L.02.02.A0006_00	13	1
58057181	L.01.02.A0006_00	12	1	59056244	G.01.02.A0006_00	13	1	59256200	B.01.01.A0001_03	11	1
	L.01.02.A0006_01	12	1	59056298Z	B.01.01.A0001_03	18	1	59256315	H.04.02.A0006_00	6	1
58057211	K.01.02.A0006_00	14	1	59056318	H.04.02.A0006_00	3	1	59256540	K.01.02.A0006_00	19	1
58057342	K.01.02.A0006_00	25	1	59056440	H.04.02.A0006_00	8	1	59256685	L.01.02.A0006_00	20	1
58057357	K.01.02.A0006_00	10	1	59056445	I.01.02.A0006_00	23	1		L.01.02.A0006_01	20	1
58057458	Q.01.05.A0005_01	8	1	59056530N	I.02.02.A0006_00	27	1	59256693	C.01.01.A0001_02	12	1
58057645	M.01.02.A0006_00	9	1	59056533	H.04.02.A0006_00	14	1	59256800	H.02.02.A0006_00	22	1
	Q.01.05.A0005_01	7	1	59056535N	I.02.02.A0006_00	50	1	59256880	J.01.02.A0006_00	12	1
58057724	Q.01.05.A0005_01	13	1	59056547	I.02.02.A0006_00	17	1	59259598	P.01.02.A0006_00	59259598	1
58057746	Q.01.05.A0005_01	9	1	59056558	I.01.02.A0006_00	6	1	F0803067000	F.01.05.A0005_00	19	1
58057747	Q.01.05.A0005_01	11	1	59056583	I.02.02.A0006_00	47	1	F0803075500	F.01.05.A0005_00	11	1



SPARE PARTS INSTANCE INDEX

Code	Parts Table	Pos.	Q.ty
F0810505010	M.01.02.A0006_00	24	1
F0843109020	H.03.02.A0006_00	1	1
F0844273090	B.01.01.A0001_03	8	1